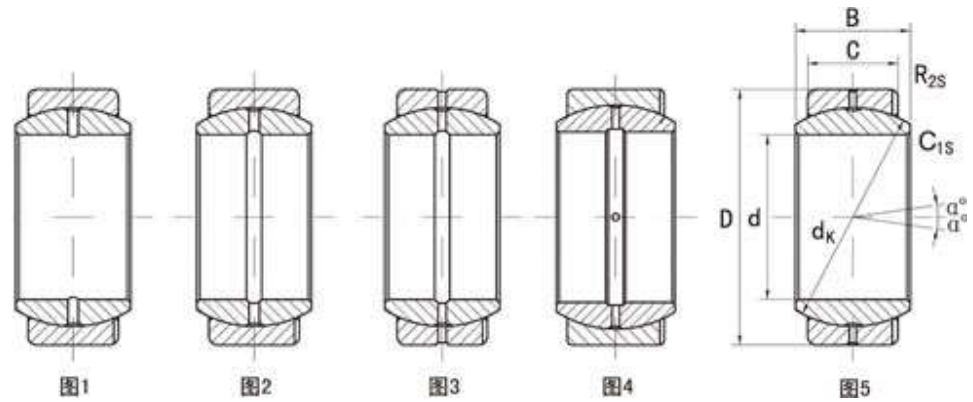




MICHIGAN MANUFACTURING
International



Radial Spherical plain Bearings WCN

-Russian design.

- Inner and outer ring not phosphate treated.

Part No.	Dimensions mm									Designation	weight kg
	d	D	B	C	dk	C1s min	R2s min	α ≈			
WCN6	6	14	6	4	10	0.4	2	13	1	0.004	
WCN8	8	17	8	5	13	0.4	2	15	1	0.008	
WCN10	10	20	9	6	16	0.4	2	12	2	0.013	
WCN12	12	22	10	7	18	0.4	2	10	2	0.016	
WCN15	15	28	12	8	23	0.5	2	11	2	0.028	
WCN17	17	32	14	10	26	0.5	2	10	2	0.044	
WCN20	20	35	16	12	29	0.5	2	9	2	0.061	
WCN25	25	42	20	16	35	0.5	2	7	2	0.11	
WCN30	30	47	22	18	40	0.5	2	6.5	2	0.14	
WCN35	35	55	26	21	47	0.5	2	7	2	0.22	
WCN40	40	62	28	22	53	0.5	2	7	2	0.30	
WCN45	45	70	32	25	60	0.5	2	7	3	0.44	
WCN50	50	75	35	28	66	0.5	2	7	3	0.54	
WCN55	55	85	40	32	75	0.5	2	7	2	0.75	
WCN60	60	90	44	34	80	0.8	2.5	8	2	0.97	
WCN70	70	105	49	40	92	0.8	2.5	6.5	4	1.50	
WCN80	80	125	76	70	114	0.8	2.5	4	2	3.80	
WCN90	90	130	60	50	115	0.8	2.5	5.5	5	2.70	
WCN100	100	150	70	55	130	1.0	3	7.5	4	4.30	
WCN110	110	160	70	55	140	1.0	3	6.5	2	4.70	
WCN120	120	180	85	70	160	1.0	3	6	4	8.00	
WCN130	130	200	95	52	175	1.0	3	15	2	10.50	