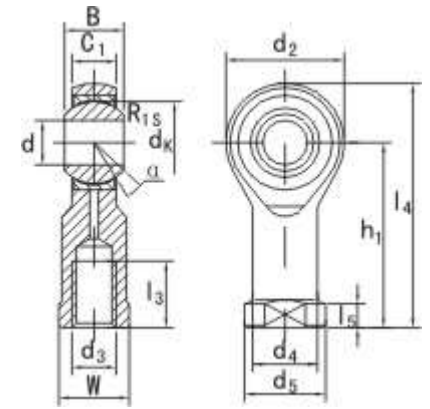




MICHIGAN MANUFACTURING
International

Rod Ends
SSI..T/K



- Design features as series Sl. T / K, but in stainless steel.

Part No.	Dimensions mm											load ratingsKN		weight kg			
	d	d3 6H	B	C1	L3 min	W	d2	h1	L4	L5	d4	d5	dk		a ≈	dyn. C	stat. C0
SSI5T/K	5	M5x0.8	8	6	10	9	18	27	36	4	8.5	11	11.11	13	5.70	6.00	0.016
SSI6T/K	6	M6x1.0	9	6.75	12	11	20	30	40	5	10	13	12.70	13	7.20	7.65	0.022
SSI8T/K	8	M8x1.25	12	9	16	14	24	36	48	5	12.5	16	15.875	14	11.60	12.9	0.047
SSI10T/K	10	M10x1.5	14	10.5	20	17	28	43	57	6.5	15	19	19.05	13	14.5	18.0	0.077
SSI10-1T/K	10	M10x1.25	14	10.5	20	17	28	43	57	6.5	15	19	19.05	13	14.5	18.0	0.077
SSI12T/K	12	M12x1.75	16	12	22	19	32	50	66	6.5	17.5	22	22.225	13	17.0	24.0	0.10
SSI12-1T/K	12	M12x1.25	16	12	22	19	32	50	66	6.5	17.5	22	22.225	13	17.0	24.0	0.10
SSI14T/K	14	M14x2.0	19	13.5	25	22	36	57	75	8	20	25	25.40	16	24.0	31.0	0.16
SSI14-1T/K	14	M14x1.5	19	13.5	25	22	36	57	75	8	20	25	25.40	16	24.0	31.0	0.16
SSI16T/K	16	M16x2.0	21	15	28	22	42	64	85	8	22	27	28.575	15	28.5	39.0	0.22
SSI16-1T/K	16	M16x1.5	21	15	28	22	42	64	85	8	22	27	28.575	15	28.5	39.0	0.22
SSI18T/K	18	M18x1.5	23	16.5	32	27	44	71	93	10	25	31	31.75	15	42.5	47.5	0.32
SSI20T/K	20	M20x1.5	25	18	33	30	50	77	102	10	27.5	34	34.925	14	42.5	57.0	0.42
SSI22T/K	22	M22x1.5	28	20	37	32	54	84	111	12	30	38	38.10	15	57.0	68.0	0.54
SSI25T/K	25	M24x2.0	31	22	42	36	60	94	124	12	33.5	42	42.86	15	68.0	85.0	0.72
SSI28T/K	28	M27x2.0	35	24	51	41	66	103	136	14	37	46	47.63	15	86.0	107.0	0.82
SSI30T/K	30	M30x2.0	37	25	51	41	70	110	145	15	40	50	50.80	17	88.0	114.0	1.10
SSI30-1T/K	30	M27x2.0	37	25	51	41	70	110	145	15	40	50	50.80	17	88.0	114.0	1.10