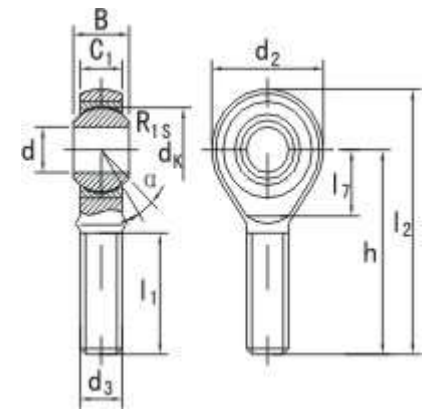




**MICHIGAN MANUFACTURING**  
International

Rod Ends  
SSA..T/K



- Design features as series SA. T / K, but in stainless steel.

| Part No.   | Dimensions mm |          |    |      |           |    |           |     |     |        |     | load ratings KN |           | weight kg |             |
|------------|---------------|----------|----|------|-----------|----|-----------|-----|-----|--------|-----|-----------------|-----------|-----------|-------------|
|            | d             | d3<br>6g | B  | C1   | L1<br>min | d2 | L7<br>min | h   | L2  | dk     | R1s | a<br>≈          | dyn.<br>C |           | stat.<br>C0 |
| SSA5T/K    | 5             | M5x0.8   | 8  | 6    | 19        | 18 |           | 33  | 42  | 11.11  | 0.3 | 13              | 5.70      | 6.00      | 0.013       |
| SSA6T/K    | 6             | M6x1.0   | 9  | 6.75 | 21        | 20 |           | 36  | 46  | 12.70  | 0.3 | 13              | 7.20      | 7.65      | 0.020       |
| SSA8T/K    | 8             | M8x1.25  | 12 | 9    | 25        | 24 |           | 42  | 54  | 15.875 | 0.3 | 14              | 11.6      | 12.9      | 0.038       |
| SSA10T/K   | 10            | M10x1.5  | 14 | 10.5 | 28        | 28 |           | 28  | 62  | 19.05  | 0.3 | 13              | 14.5      | 18.0      | 0.055       |
| SSA12T/K   | 12            | M12x1.75 | 16 | 12   | 32        | 32 |           | 54  | 70  | 22.225 | 0.3 | 13              | 17.0      | 24.0      | 0.085       |
| SSA12-1T/K | 12            | M12x1.25 | 16 | 12   | 32        | 32 |           | 54  | 70  | 22.225 | 0.3 | 13              | 17.0      | 24.0      | 0.085       |
| SSA14T/K   | 14            | M14x2.0  | 19 | 13.5 | 36        | 36 | 18        | 60  | 78  | 25.40  | 0.3 | 16              | 24.0      | 31.0      | 0.140       |
| SSA16T/K   | 16            | M16x2.0  | 21 | 15   | 37        | 42 | 21        | 66  | 87  | 28.575 | 0.3 | 15              | 28.5      | 39.0      | 0.210       |
| SSA16-1T/K | 16            | M16x1.5  | 21 | 15   | 37        | 42 | 21        | 66  | 87  | 28.575 | 0.3 | 15              | 28.5      | 39.0      | 0.210       |
| SSA18T/K   | 18            | M18x1.5  | 23 | 16.5 | 41        | 44 | 22        | 72  | 94  | 31.75  | 0.3 | 15              | 42.5      | 47.5      | 0.280       |
| SSA20T/K   | 20            | M20x1.5  | 25 | 18   | 45        | 50 | 25        | 78  | 103 | 34.925 | 0.3 | 14              | 42.5      | 57.0      | 0.380       |
| SSA22T/K   | 22            | M22x1.5  | 28 | 20   | 48        | 54 | 27        | 84  | 111 | 38.10  | 0.3 | 15              | 57.0      | 68.0      | 0.480       |
| SSA25T/K   | 25            | M24x2.0  | 31 | 22   | 55        | 60 | 30        | 94  | 124 | 42.86  | 0.3 | 15              | 68.0      | 85.0      | 0.640       |
| SSA28T/K   | 28            | M27x2.0  | 35 | 24   | 62        | 66 | 33        | 103 | 136 | 47.63  | 0.3 | 15              | 86.0      | 107.0     | 0.80        |
| SSA30T/K   | 30            | M30x2.0  | 37 | 25   | 66        | 70 | 35        | 110 | 145 | 50.80  | 0.3 | 17              | 88.0      | 114.0     | 1.10        |