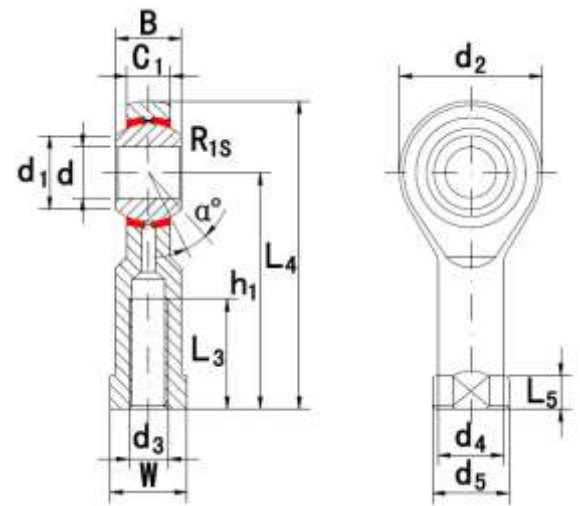




MICHIGAN MANUFACTURING
International

Rod Ends
SIZP..S



- Rod body with right or left-hand female thread.
- Outer race lined with bronze liner.
- Surface of rod body zinc plated.
- In inch dimension series.

Part No.	Dimensions mm													load ratingsKN		weight kg		
	d	d3	B	C1	d1	R1S	d2	h1	L3	L4	L5	d4	d5	w	a		dyn.	stat.
		2B								min					≈	C	C0	
SIZP4S	4.826	10-32	7.92	6.35	7.8	0.3	15.88	26.97	14.27	34.91	4.75	7.54	10.31	7.92	10	3.4	4.6	0.015
SIZP6S	6.350	1/4-28	9.53	7.14	8.40	0.3	19.05	33.32	19.05	42.85	4.75	9.15	11.91	9.53	13	4.5	7.7	0.025
SIZP7S	7.938	5/16-24	11.10	8.74	11.4	0.3	22.23	34.93	19.05	46.04	4.75	10.72	12.70	11.1	10	6.9	8.4	0.036
SIZP9S	9.525	3/8-24	12.70	10.31	13.1	0.6	25.40	41.28	23.80	53.98	6.35	13.89	17.45	14.27	9	9.4	10	0.061
SIZP11S	11.113	7/16-20	14.27	11.10	14.9	0.6	28.58	46.02	26.97	60.31	6.35	15.49	19.05	15.88	11	11	13	0.084
SIZP12S	12.70	1/2-20	15.88	12.70	17.7	0.6	33.32	53.98	30.15	70.64	6.35	18.67	22.23	19.05	9	15	19	0.133
SIZP15S	15.875	5/8-18	19.05	14.27	21.1	0.6	38.10	63.50	38.10	82.55	7.92	21.84	25.40	22.23	11	20	21	0.190
SIZP19S	19.05	3/4-16	22.23	17.45	24.8	0.6	44.45	73.03	44.45	95.25	7.92	25.02	28.58	25.40	10	29	29	0.285
SIZP25S	25.40	5/4-12	34.93	25.40	32.2	0.6	69.85	104.78	53.98	139.7	11.1	37.72	44.45	38.10	14	60	101	1.00