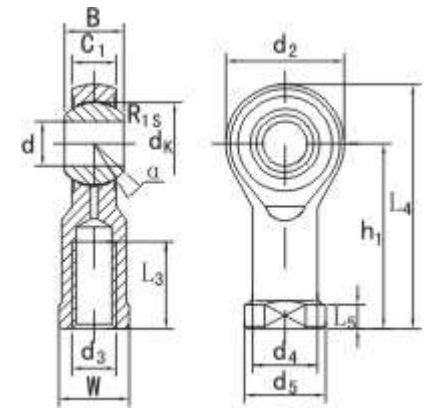




MICHIGAN MANUFACTURING
International

Rod Ends
SI..ZK



- Rod body with right or left-hand female thread.
- With moulded Nylon/Teflon/Fiberglass compound insert.
- Surface of rod body zinc plated.

Part No.	Dimensions mm														load ratingsKN		weight kg
	d	d3 7H	B	C1	L3 min	W	d2	h1	L4	L5	d4	d5	dk	a ≈	dyn. C	stat. C0	
SI4ZK	4	M4x0.7	7	5.25	8	8	14	24	31	4	8	9.5	9.525	13	3.0	5.0	0.009
SI5ZK	5	M5x0.8	8	6	10	9	16	27	35	4	8.5	11	11.11	13	3.25	5.70	0.016
SI6ZK	6	M6x1.0	9	6.75	12	11	18	30	39	5	10	13	12.7	13	4.3	7.20	0.022
SI8ZK	8	M8x1.25	12	9	16	14	22	36	47	5	12.5	16	15.875	14	7.2	11.6	0.047
SI10ZK	10	M10x1.5	14	10.5	20	17	26	43	56	6.5	15	19	19.05	13	10	14.5	0.077
SI10-1ZK	10	M10x1.25	14	10.5	20	17	26	43	56	6.5	15	19	19.05	13	10	14.5	0.077
SI12ZK	12	M12x1.75	16	12	22	19	30	50	65	6.5	17.5	22	22.225	13	13.4	17	0.10
SI12-1ZK	12	M12x1.25	16	12	22	19	30	50	65	6.5	17.5	22	22.225	13	13.4	17	0.10
SI14ZK	14	M14x2.0	19	13.5	25	22	34	57	74	8	20	25	25.40	16	17	24	0.16
SI14-1ZK	14	M14x1.5	19	13.5	25	22	34	57	74	8	20	25	25.40	16	17	24	0.16
SI16ZK	16	M16x2.0	21	15	28	22	40	64	84	8	22	27	28.575	15	21.6	28.5	0.22
SI16-1ZK	16	M16x1.5	21	15	28	22	40	64	84	8	22	27	28.575	15	21.6	28.5	0.22
SI18ZK	18	M18x1.5	23	16.5	32	27	44	71	93	10	25	31	31.75	15	26	42.5	0.32
SI20ZK	20	M20x1.5	25	18	33	30	50	77	102	10	27.5	34	34.925	14	31.5	42.5	0.42
SI22ZK	22	M22x1.5	28	20	37	32	54	84	111	12	30	38	38.10	15	38	57	0.54
SI25ZK	25	M24x2.0	31	22	42	36	60	94	124	12	33.5	42	42.86	15	47.5	68	0.73
SI28ZK	28	M27x2.0	35	24	48	41	66	103	136	14	37	46	47.63	15	58	75	0.98
SI30ZK	30	M30x2.0	37	25	51	41	70	110	145	15	40	50	50.8	17	64	88	1.10
SI30-1ZK	30	M27x2.0	37	25	51	41	70	110	145	15	40	50	50.8	17	64	88	1.10