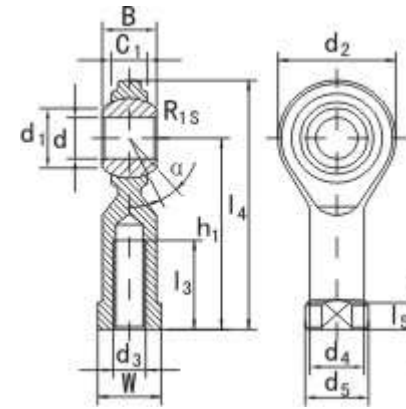




MICHIGAN MANUFACTURING
International



Rod Ends SIZJ,SIZJ..S

- Rod body with right or left-hand female thread.
- Rod body pressed around inner ring.
- Surface of rod body zinc plated.
- In inch dimension series.

Part No.	Dimensions mm												load ratingsKN		weight kg			
	d	d3 2B	B	C1	d1 min	R1S	d2	h1	L3	L4	L5	d4	d5	w		a ≈	dyn. C	stat. C0
SIZJ4*	4.826	10-32	7.92	5.94	7.8	0.3	15.88	26.97	12.70	34.93	4.75	7.54	10.31	7.92	10	3.6	6.8	0.018
SIZJ6*	6.350	1/4-28	9.53	6.35	8.4	0.3	19.05	33.32	15.88	42.85	4.75	9.15	11.91	9.53	13.5	5.4	9.6	0.023
SIZJ7*	7.938	5/16-24	11.10	7.92	11.4	0.3	22.23	34.93	15.88	46.02	4.75	10.72	12.70	11.1	11	8.5	12	0.036
SIZJ9	9.525	3/8-24	12.70	9.12	13.1	0.6	25.40	41.28	19.05	53.98	6.35	13.89	17.45	14.27	11	11	16	0.059
SIZJ11	11.113	7/16-20	14.27	10.31	14.9	0.6	28.58	46.02	22.23	60.33	6.35	15.49	19.05	15.88	10.5	14	21	0.082
SIZJ12	12.70	1/2-20	15.88	11.5	17.7	0.6	33.32	53.98	25.40	70.64	6.35	18.67	22.23	19.05	10	18	28	0.132
SIZJ15	15.875	5/8-18	19.05	12.29	21.3	0.6	38.10	63.50	31.75	85.55	7.92	21.84	25.40	22.23	13	23	29	0.195
SIZJ19	19.05	3/4-16	22.23	15.06	24.8	0.6	44.45	73.03	34.93	95.25	7.92	25.02	28.58	25.40	12	34	44	0.295