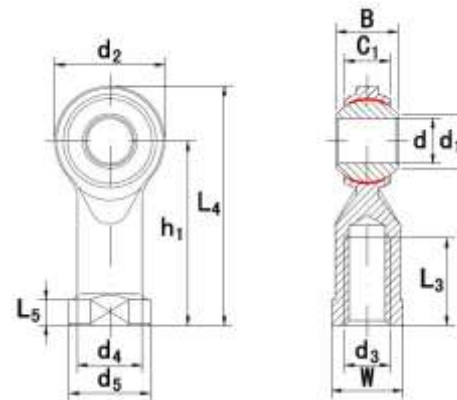




MICHIGAN MANUFACTURING
International

Rod Ends
SI..PK



- Rod body with right or left-hand female thread.
- Rod body pressed around inner ring.
- Outer race lined with PTFE composite material.
- Surface of rod body zinc plated.

Part No.	Dimensions mm												load ratingsKN		weight kg	
	d	d3 7H	B	C1	L3 min	W	d2	h1	L4	L5	d4	d5	a ≈	dyn. C		stat. C0
SI5PK	5	M5x0.8	8	6	10	9	19	27	36.5	4	9	11	12	5.70	6.00	0.018
SI6PK	6	M6x1.0	9	6.7	12	11	21	30	40.5	5	10	13	11	7.20	7.65	0.026
SI8PK	8	M8x1.25	12	9	16	14	25	36	48.5	5	12.5	16	12	11.6	12.9	0.047
SI10PK	10	M10x1.5	14	11	20	17	29	43	57.5	6.5	15	19	12	14.5	18.0	0.077
SI10-1PK	10	M10x1.25	14	11	20	17	29	43	57.5	6.5	15	19	12	14.5	18.0	0.077
SI12PK	12	M12x1.75	16	12	22	19	33	50	66.5	6.5	17.5	22	13	17.0	24.0	0.100
SI12-1PK	12	M12x1.25	16	12	22	19	33	50	66.5	6.5	17.5	22	13	17.0	24.0	0.100
SI14PK	14	M14x2.0	19	14	25	22	37	57	75.5	8	20	25	14	24.0	31.0	0.160
SI16PK	16	M16x2.0	21	15	28	22	43	64	85.5	8	22	27	14	28.5	39.0	0.220
SI16-1PK	16	M16x1.5	21	15	28	22	43	64	85.5	8	22	27	14	28.5	39.0	0.220
SI18PK	18	M18x1.5	23	17	32	27	47	71	94.5	10	25	31	14	42.5	47.5	0.320
SI20PK	20	M20x1.5	25	18	33	30	51	77	102.5	10	27.5	34	14	42.5	57.0	0.420
SI22PK	22	M22x1.5	28	20	37	32	55	84	111.5	12	30	38	15	57.0	68.0	0.540
SI25PK	25	M24x2.0	31	22	42	36	61	94	124.5	12	33.5	42	15	68.0	85.0	0.720