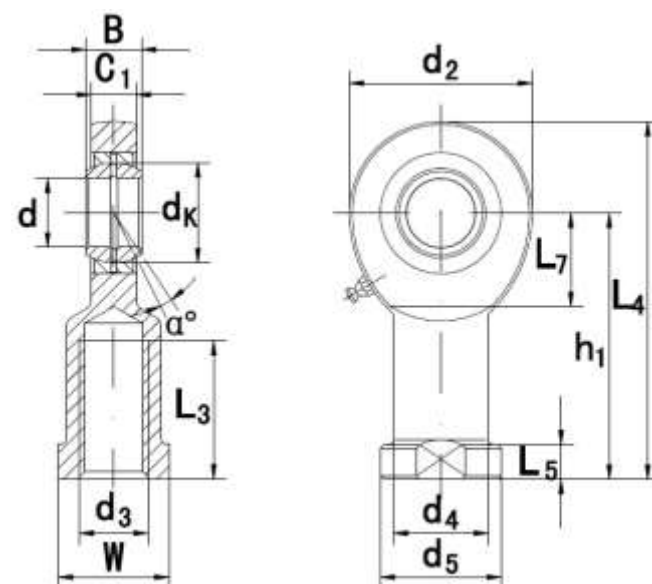




MICHIGAN MANUFACTURING
International

Rod Ends
SI..E(S),SI..ES 2RS



- Rod body with right or left-hand female thread.
- It is made up of a radial spherical plain bearing GE .. E (S) or GE .. ES 2RS and rod body.
- Surface of rod body zinc plated, housing of SI..ES with a lubricating hole or grease nipple.

Part No.	Dimensions mm														load ratings KN		weight kg
	d	d3 6H	B	C1	L3 min	W	d2	h1	L4	L5	d4	d5	dk	a ≈	dyn. C	stat. C0	
SI6E*	6	M6x1.0	6	4.4	11	11	21	30	40.5	5	10	13	10	13	3.40	8.15	0.021
SI8E*	8	M8x1.25	8	6.0	15	14	24	36	48	5	12.5	16	13	15	5.50	12.9	0.039
SI10E*	10	M10x1.5	9	7.0	20	17	29	43	57.5	6.5	15	19	16	12	8.15	17.6	0.061
SI12E*	12	M12x1.75	10	8.0	23	19	34	50	67	6.5	17.5	22	18	11	10.8	24.5	0.096
SI15ES	15	M14x2.0	12	10	30	22	40	61	81	8	21	26	22	8	17.0	36.0	0.180
SI17ES	17	M16x2.0	14	11	34	27	46	67	90	10	24	30	25	10	21.2	45.0	0.220
SI20ES	20	M20x1.5	16	13	40	32	53	77	103.5	10	27.5	35	29	9	30.0	60.0	0.350
SI25ES	25	M24x2.0	20	17	48	36	64	94	126	12	33.5	42	35.5	7	48.0	83.0	0.640
SI30ES	30	M30x2.0	22	19	56	41	73	110	146.5	15	40	50	40.7	6	62.0	110	0.930
SI35ES	35	M36x3.0	25	21	60	50	82	125	166	15	47	58	47	6	80.0	146	1.30
SI40ES	40	M39x3.0	28	23	65	55	92	142	188	18	52	65	53	7	100	180	2.00
SI40-1ES	40	M42x3.0	28	23	65	55	92	142	188	18	52	65	53	7	100	180	1.96
SI45ES	45	M42x3.0	32	27	65	60	102	145	196	20	58	70	60	7	127	240	2.50
SI45-1ES	45	M45x3.0	32	27	65	60	102	145	196	20	58	70	60	7	127	240	2.44
SI50ES	50	M45x3.0	35	30	68	65	112	160	216	20	62	75	66	6	156	290	3.50
SI50-1ES	50	M52x3.0	35	30	68	65	112	160	216	20	62	75	66	6	156	290	3.4
SI60ES	60	M52x3.0	44	38	70	75	135	175	242.5	20	70	88	80	6	245	450	5.50
SI60-1ES	60	M60x4.0	44	38	70	75	135	175	242.5	20	70	88	80	6	245	450	5.38
SI70ES	70	M56x4.0	49	42	80	85	160	200	280	20	80	98	92	6	315	610	8.60
SI70-1ES	70	M72x4.0	49	42	80	85	160	200	280	20	80	98	92	6	315	610	8.42
SI80ES	80	M64x4.0	55	47	85	100	180	230	320	25	95	110	105	6	400	750	12.0
SI80-1ES	80	M80x4.0	55	47	85	100	180	230	320	25	95	110	105	6	400	750	11.8