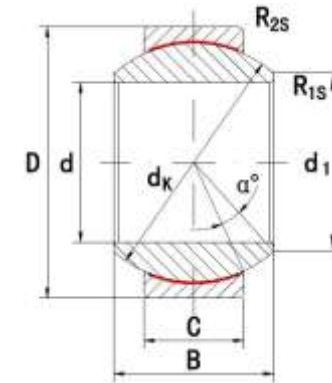




MICHIGAN MANUFACTURING
International



Radial Spherical plain Bearings SGE..UK

- Design features same as series GE..UK, but in stainless steel.

Part No.	Dimensions mm									load ratings KN		weight kg
	d	D	B	C	d1 min	dk	R1s min	R2s min	α \approx	dyn. C	stat. C0	
SGE6UK	6	14	6	4	8	10	0.3	0.3	13	3.6	9.1	0.004
SGE8UK	8	16	8	5	10	13	0.3	0.3	15	5.8	14	0.008
SGE10UK	10	19	9	6	13	16	0.3	0.3	12	8.6	21	0.011
SGE12UK	12	22	10	7	15	18	0.3	0.3	10	11	28	0.015
SGE15UK	15	26	12	9	18	22	0.3	0.3	8	18	45	0.027
SGE17UK	17	30	14	10	20	25	0.3	0.3	10	22	56	0.041
SGE20UK	20	35	16	12	24	29	0.3	0.3	9	31	78	0.066
SGE25UK	25	42	20	16	29	35.5	0.6	0.6	7	51	127	0.119
SGE30UK	30	47	22	18	34	40.7	0.6	0.6	6	65	166	0.163