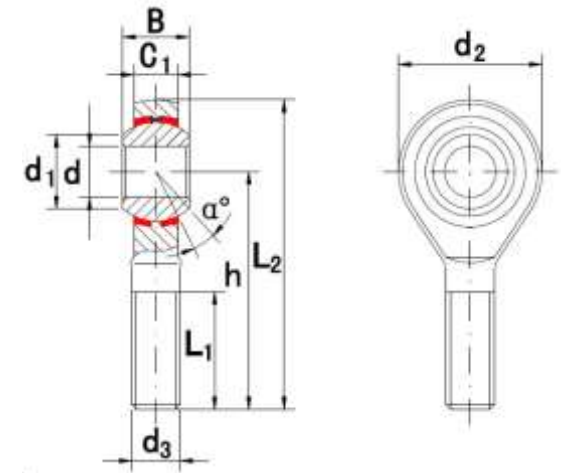




MICHIGAN MANUFACTURING
International

Rod Ends
SAZP..S



- Rod body with right or left-hand female thread.
- Outer race lined with bronze liner.
- Surface of rod body zinc plated.
- In inch dimension series.

Part No.	Dimensions mm										load ratingsKN		weight kg	
	d	d3 6g	B	C1	L1	d2	h	L2	d1	R1s	a	dyn. C		stat. C0
SAZP4S	4.826	10-32	7.925	6.35	19.05	15.88	31.75	39.7	7.79	0.3	10	3.4	3.8	0.013
SAZP6S	6.350	1/4-28	9.525	7.14	25.4	19.05	39.67	49.2	8.4	0.3	13	4.5	6.6	0.022
SAZP7S	7.938	5/16-24	11.10	8.74	31.75	22.23	47.63	58.72	11.35	0.3	10	6.9	8.4	0.037
SAZP9S	9.525	3/8-24	12.70	10.31	31.75	25.40	49.23	61.93	14.2	0.6	9	9.4	10	0.055
SAZP11S	11.113	7/16-20	14.275	11.10	34.95	28.58	53.98	68.28	12.62	0.6	11	11	13	0.078
SAZP12S	12.70	1/2-20	15.875	12.70	38.1	33.32	61.93	78.59	15.55	0.6	9	15	19	0.12
SAZP15S	15.875	5/8-18	19.05	14.27	41.28	38.10	68.68	85.73	21.3	0.6	11	20	21	0.18
SAZP19S	19.05	3/4-16	22.225	17.45	44.45	44.45	73.03	95.25	22.67	0.6	10	29	29	0.29
SAZP25S	25.40	5/4-12	34.93	25.40	53.98	69.85	104.78	139.7	36.89	0.6	14	60	101	1.10