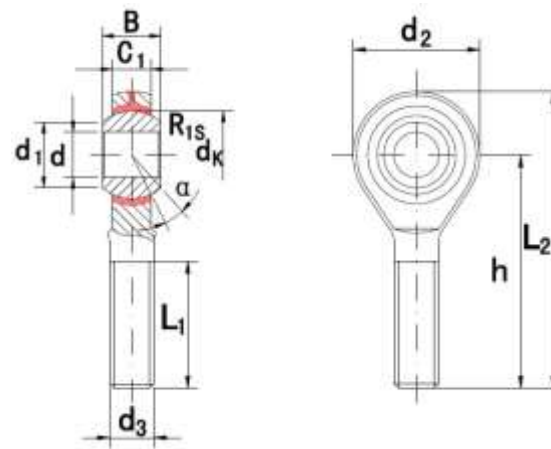




**MICHIGAN MANUFACTURING**  
International



Rod Ends  
SA..ZK

- Rod body with right or left-hand female thread.
- With moulded Nylon/Teflon/Fiberglass compound insert.
- Surface of rod body zinc plated.

Pare No.	Dimensions mm												load ratingsKN		weight kg
	d	d3 6g	B	C1	L1 min	d2	h	L2	dk	d1	R1s	a ≈	dyn. C	stat. C0	
SA5ZK	5	M5x0.8	8	6	20	16	33	41	11.11	7.7	0.3	13	3.25	5.7	0.013
SA6ZK	6	M6x1.0	9	6.75	22	18	36	45	12.7	8.96	0.3	13	4.3	7.2	0.02
SA8ZK	8	M8x1.25	12	9	25	22	42	53	15.875	10.4	0.3	14	7.2	11.6	0.03
SA10ZK	10	M10x1.5	14	10.5	29	26	48	61	19.05	12.9	0.3	13	10	14.6	0.055
SA12ZK	12	M12x1.75	16	12	33	30	54	69	22.225	15.4	0.3	13	13.4	17	0.085
SA12-1ZK	12	M12x1.25	16	12	33	30	54	69	22.225	15.4	0.3	13	13.4	17	0.085
SA14ZK	14	M14x2.0	19	13.5	36	34	60	77	25.4	16.9	0.3	16	17	24	0.14
SA16ZK	16	M16x2.0	21	15	40	40	66	86	28.575	19.4	0.3	15	21.6	28.5	0.21
SA16-1ZK	16	M16x1.5	21	15	40	40	66	86	28.575	19.4	0.3	15	21.6	28.5	0.21
SA18ZK	18	M18x1.5	23	16.5	44	44	72	94	31.75	21.9	0.3	15	26	42.5	0.28
SA20ZK	20	M20x1.5	25	18	47	50	78	103	34.925	24.4	0.3	14	31.5	52.5	0.38
SA22ZK	22	M22x1.5	28	20	51	54	84	111	38.1	25.8	0.3	15	38	57	0.48
SA25ZK	25	M24x2.0	31	22	57	60	94	124	42.86	29.6	0.3	15	47.5	68	0.64
SA28ZK	28	M27x2.0	35	24	62	66	103	136	47.63	32.3	0.3	15	58	75.5	0.96
SA30ZK	30	M30x2.0	37	25	66	70	110	145	50.8	34.8	0.3	17	64	88	1.1