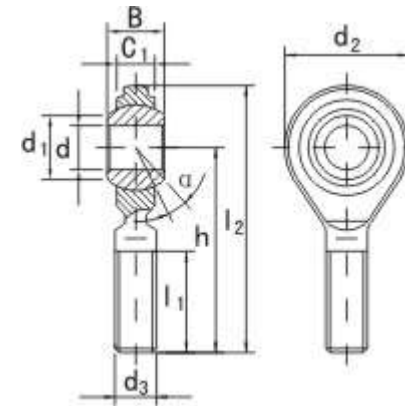




MICHIGAN MANUFACTURING
International

Rod Ends
SAZJ,SAZJ..S



- Rod body with right or left-hand female thread.
- Rod body pressed around inner ring.
- Surface of rod body zinc plated.
- In inch dimension series.

Part No.	Dimensions mm										load ratings KN		weight kg	
	d	d3 6g	B	C1	L1 min	d2	h	L2	d1 min	R1s	a ≈	dyn. C		stat. C0
SAZJ4*	4.826	10-32	7.92	5.94	19.05	15.88	31.75	39.7	7.8	0.3	10	3.6	3.8	0.014
SAZJ6*	6.350	1/4-28	9.53	6.35	25.4	19.05	39.67	49.2	8.4	0.3	13.5	5.4	6.6	0.018
SAZJ7*	7.938	5/16-24	11.10	7.92	31.75	22.23	47.63	58.74	11.4	0.3	11	8.5	12	0.032
SAZJ9	9.525	3/8-24	12.70	9.12	31.75	25.40	49.23	61.93	13.1	0.6	11	11	16	0.050
SAZJ11	11.113	7/16-20	14.27	10.31	34.93	28.58	53.98	68.28	14.9	0.6	10.5	14	21	0.068
SAZJ12	12.70	1/2-20	15.88	11.5	38.1	33.32	61.93	78.59	17.7	0.6	10	18	28	0.110
SAZJ15	15.875	5/8-18	19.05	12.29	41.28	38.10	66.68	85.73	21.3	0.6	13	23	29	0.160
SAZJ19	19.05	3/4-16	22.23	15.06	44.45	44.45	73.03	95.25	24.8	0.6	12	34	44	0.260