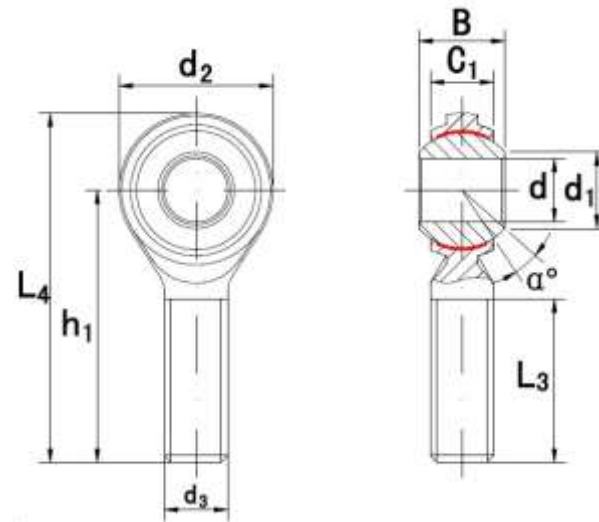




**MICHIGAN MANUFACTURING**  
International

Rod Ends  
SA..PK

- Rod body with right or left-hand female thread.
- Rod body pressed around inner ring.
- Outer race lined with PTFE composite material.
- Surface of rod body zinc plated.



Part No.	Dimensions mm									load ratings KN		weight kg
	d	d3	B	C1	d2	h1	L4	L3	a	dyn. C	stat. C0	
SA5PK	5	M5x0.8 6g	8	6	19	33	42.5	20	12	5.70	6.00	0.014
SA6PK	6	M6x1.0	9	6.7	21	36	46.5	22	11	7.20	7.65	0.020
SA8PK	8	M8x1.25	12	9	25	42	54.5	25	12	11.6	12.9	0.038
SA10PK	10	M10x1.5	14	11	29	48	62.5	29	12	14.5	18.0	0.055
SA12PK	12	M12x1.75	16	12	33	54	70.5	33	13	17.0	24.0	0.085
SA14PK	14	M14x2.0	19	14	37	60	78.5	36	14	24.0	31.0	0.140
SA16PK	16	M16x2.0	21	15	43	66	87.5	40	14	28.5	39.0	0.210
SA18PK	18	M18x1.5	23	17	47	72	95.5	44	14	42.5	47.5	0.280
SA20PK	20	M20x1.5	25	18	51	78	103.5	47	14	42.5	57.0	0.380
SA22PK	22	M22x1.5	28	20	55	84	111.5	50	15	57.0	68.0	0.480
SA25PK	25	M24x2.0	31	22	61	94	124.5	57	15	68.0	85.0	0.640