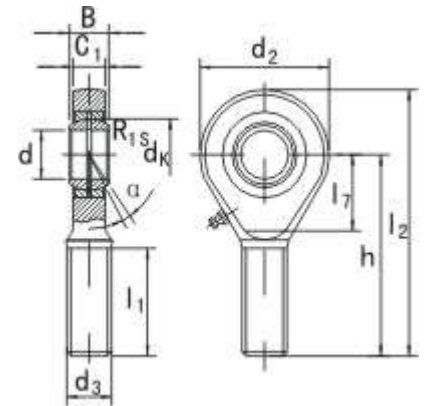




## MICHIGAN MANUFACTURING International

### Rod Ends SA..T/K



- Rod body with right or left-hand female thread.
- It is made up of a maintenance-free radial spherical plain bearing G..PW and rod body.
- Surface of rod body zinc plated.

Part No.	Dimensions mm											load ratings KN		weight kg	
	d	d3 6g	B	C1	L1 min	d2	L7 min	h	L2	dk	R1s	a ≈	dyn. C		stat. C0
SA5T/K	5	M5x0.8	8	6	19	18		33	42	11.11	0.3	13	5.70	6.00	0.013
SA6T/K	6	M6x1.0	9	6.75	21	20		36	46	12.70	0.3	13	7.20	7.65	0.020
SA8T/K	8	M8x1.25	12	9	25	24		42	54	15.875	0.3	14	11.6	12.9	0.038
SA10T/K	10	M10x1.5	14	10.5	28	28		28	62	19.05	0.3	13	14.5	18.0	0.055
SA12T/K	12	M12x1.75	16	12	32	32		54	70	22.225	0.3	13	17.0	24.0	0.085
SA12-1T/K	12	M12x1.25	16	12	32	32		54	70	22.225	0.3	13	17.0	24.0	0.085
SA14T/K	14	M14x2.0	19	13.5	36	36	18	60	78	25.40	0.3	16	24.0	31.0	0.14
SA16T/K	16	M16x2.0	21	15	37	42	21	66	87	28.575	0.3	15	28.5	39.0	0.21
SA16-1T/K	16	M16x1.5	21	15	37	42	21	66	87	28.575	0.3	15	28.5	39	0.28
SA18T/K	18	M18x1.5	23	16.5	41	44	22	72	94	31.75	0.3	15	42.5	47.5	0.28
SA20T/K	20	M20x1.5	25	18	45	50	25	78	103	34.925	0.3	14	42.5	57.0	0.38
SA22T/K	22	M22x1.5	28	20	48	54	27	84	111	38.10	0.3	15	57.0	68.0	0.48
SA25T/K	25	M24x2.0	31	22	55	60	30	94	124	42.86	0.3	15	68.0	85.0	0.64
SA28T/K	28	M27x2.0	35	24	62	66	33	103	136	47.63	0.3	15	86.0	107.0	0.80
SA30T/K	30	M30x2.0	37	25	66	70	35	110	145	50.80	0.3	17	88.0	114.0	1.10
SA35T/K	35	M36x2.0	43	28	85	81	40	140	180.5	57.15	0.3	16	-	-	1.64
SA40T/K	40	M42x2.0	49	33	90	91	45	150	195.5	66.67	0.3	17	-	-	2.30
SA50T/K	50	M48x2.0	60	45	105	117	58	185	243.5	82.50	0.3	12	-	-	4.80