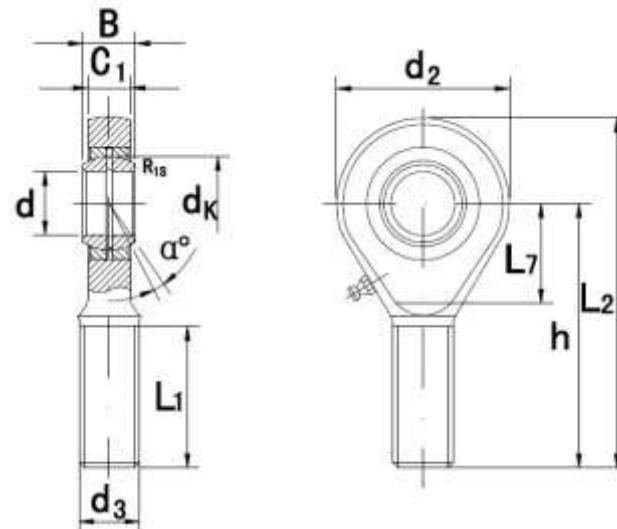




MICHIGAN MANUFACTURING
International

Rod Ends
SA..E(S),SA..ES 2RS



- Rod body with right or left-hand female thread.
- It is made up of a radial spherical plain bearing GE .. E (S) or GE .. ES 2RS and rod body.
- Surface of rod body zinc plated, housing of SA..ES with a lubricating hole or grease nipple.

Part No.	Dimensions mm											load ratings KN		weight kg	
	d	d3 6g	B	C1	L1 min	d2	L7 min	h	L2	dk	R1s	a ≈	dyn. C		stat. C0
SA6E*	6	M6x1.0	6	4.4	18	21	12	36	46.5	10	0.3	13	3.40	8.15	0.017
SA8E*	8	M8x1.25	8	6	22	24	14	42	54	13	0.3	15	5.50	12.9	0.029
SA10E*	10	M10x1.5	9	7	26	29	15	48	62.5	16	0.3	12	8.15	17.6	0.051
SA12E*	12	M12x1.75	10	8	28	34	18	54	71	18	0.3	11	10.8	24.5	0.086
SA15ES	15	M14x2.0	12	10	34	40	20	63	83	22	0.3	8	17.0	36.0	0.140
SA17ES	17	M16x2.0	14	11	36	46	23	69	92	25	0.3	10	21.2	45.0	0.190
SA20ES	20	M20x1.5	16	13	43	53	27	78	104.5	29	0.6	9	30.0	60.0	0.310
SA25ES	25	M24x2.0	20	17	53	64	32	94	126	35.5	0.6	7	48.0	83.0	0.560
SA30ES	30	M30x2.0	22	19	65	73	37	110	146.5	40.7	0.6	6	62.0	110	0.890
SA35ES	35	M36x3.0	25	21	82	82	42	140	181	47	0.6	6	80.0	146	1.40
SA40ES	40	M39x3.0	28	23	86	92	48	150	196	53	0.6	7	100	180	1.80
SA40-1ES	40	M42x3.0	28	23	86	92	48	150	196	53	0.6	7	100	180	1.85
SA45ES	45	M42x3.0	32	27	94	102	52	163	214	60	0.6	7	127	240	2.60
SA45-1ES	45	M45x3.0	32	27	94	102	52	163	214	60	0.6	7	127	240	2.66
SA50ES	50	M45x3.0	35	30	107	112	60	185	241	66	0.6	6	156	290	3.40
SA50-1ES	50	M52x3.0	35	30	107	112	60	185	241	66	0.6	6	156	290	3.5
SA60ES	60	M52x3.0	44	38	115	135	72	210	277.5	80	1.0	6	245	450	5.90
SA60-1ES	60	M60x4.0	44	38	115	135	72	210	277.5	80	1.0	6	245	450	6.02
SA70ES	70	M56x4.0	49	42	125	160	87	235	315	92	1.0	6	315	610	8.20
SA70-1ES	70	M72x4.0	49	42	125	160	87	235	315	92	1	6	315	610	8.38
SA80ES	80	M64x4.0	55	47	140	180	100	270	360	105	1.0	6	400	750	12.0
SA80-1ES	80	M80x4.0	55	47	140	180	100	270	360	105	1.0	6	400	750	12.2