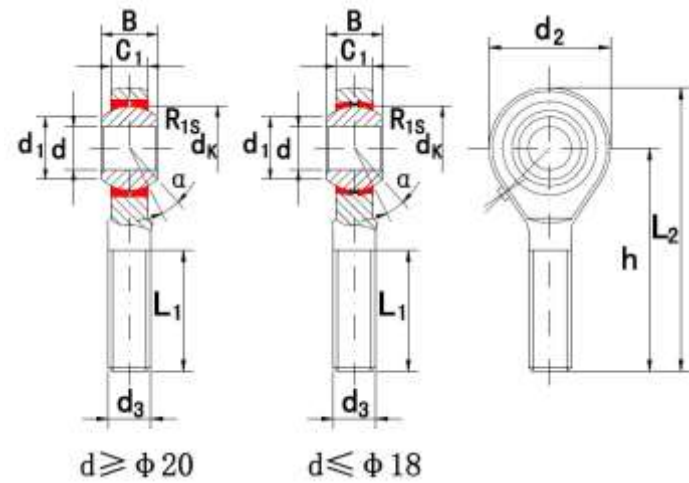




MICHIGAN MANUFACTURING
International



Rod Ends POS

- Rod ends with L-or right-handed external thread.
- Outer sphere inlaid with bronze lining.
- The surface of rod body zinc, lubricating oil hole or oil cup.

Part No.	Dimensions mm											load ratings KN		weight kg	
	d	d3 6g	B	C1	L1	d2	d2	h	L2	dk	R1s	a ≈	dyn. C		stat. C0
POS5	5	M5x0.8	8	6	20	7.7	16	33	41	11.11	0.3	13	3.25	5.70	0.013
POS6	6	M6x1.0	9	6.75	22	8.96	18	36	45	12.70	0.3	13	4.30	7.20	0.020
POS8	8	M8x1.25	12	9	25	10.4	22	42	53	15.875	0.3	14	7.20	11.6	0.030
POS10	10	M10x1.5	14	10.5	29	12.9	26	48	61	19.05	0.3	13	10.0	14.5	0.055
POS12	12	M12x1.75	16	12	33	15.4	30	54	69	22.225	0.3	13	13.4	17.0	0.085
POS12-1	12	M12x1.25	16	12	33	15.4	30	54	69	22.225	0.3	13	13.4	17.0	0.085
POS14	14	M14x2.0	19	13.5	36	16.9	34	60	77	25.40	0.3	16	17.0	24.0	0.14
POS16	16	M16x2.0	21	15	40	19.4	40	66	86	28.575	0.3	15	21.6	28.5	0.21
POS16-1	16	M16x1.5	21	15	40	19.4	40	66	86	28.575	0.3	15	21.6	28.5	0.21
POS18	18	M18x1.5	23	16.5	44	21.9	44	72	94	31.75	0.3	15	26.0	42.5	0.28
POS20	20	M20x1.5	25	18	47	24.4	50	78	103	34.925	0.3	14	31.5	52.5	0.38
POS22	22	M22x1.5	28	20	51	25.8	54	84	111	38.10	0.3	15	38.0	57.0	0.48
POS25	25	M24x2.0	31	22	57	29.6	60	94	124	42.86	0.3	15	47.5	68.0	0.64
POS28	28	M27x2.0	35	24	62	32.3	66	103	136	47.63	0.3	15	58.0	75.5	0.96
POS30	30	M30x2.0	37	25	66	34.8	70	110	145	50.80	0.3	17	64.0	88.0	1.10