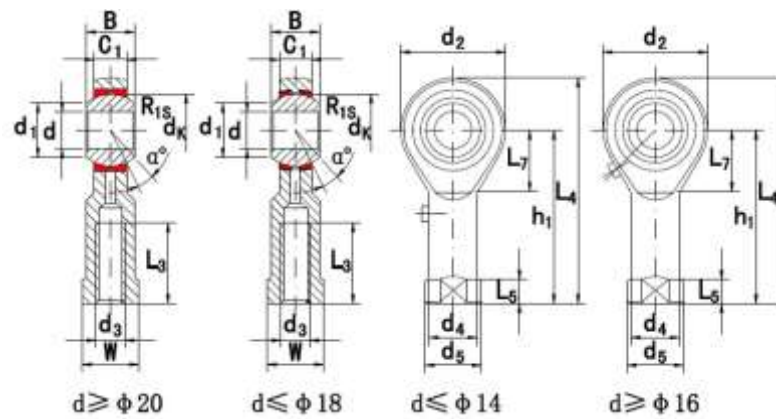




MICHIGAN MANUFACTURING
International



Rod Ends PHS

- Rod body with right or left-hand female thread.
- Outer race lined with bronze liner.
- Surface of rod body zinc plated, rod body with a lubricating hole or grease nipple.

Part No.	Dimensions mm														load ratingsKN		weight kg	
	d	d3 6H	B	C1	L3 min	W	d2	d1	h1	L4	L5	d4	d5	dk	a ≈	dyn. C		stat. C0
PHS4	4	M4x0.7	7	5.25	8	8	14	6.5	24	31	4	8	9.5	9.525	13	3	5	0.009
PHS5	5	M5x0.8	8	6	10	9	16	7.7	27	35	4	8.5	11	11.11	13	3.25	5.70	0.016
PHS6	6	M6x1.0	9	6.75	12	11	18	8.96	30	39	5	10.0	13	12.70	13	4.30	7.20	0.022
PHS8	8	M8x1.25	12	9	16	14	22	10.4	36	47	5	12.5	16	15.875	14	7.20	11.6	0.047
PHS10	10	M10x1.5	14	10.5	20	17	26	12.9	43	56	6.5	15.0	19	19.05	13	10.0	14.5	0.077
PHS10-1	10	M10x1.25	14	10.5	20	17	26	12.9	43	56	6.5	15.0	19	19.05	13	10.0	14.5	0.077
PHS12	12	M12x1.75	16	12	22	19	30	15.4	50	65	6.5	17.5	22	22.225	13	13.4	17.0	0.10
PHS12-1	12	M12x1.25	16	12	22	19	30	15.4	50	65	6.5	17.5	22	22.225	13	13.4	17.0	0.10
PHS14	14	M14x2.0	19	13.5	25	22	34	16.9	57	74	8	20.0	25	25.40	16	17.0	24.0	0.16
PHS14-1	14	M14x1.5	19	13.5	25	22	34	16.9	57	74	8	20.0	25	25.40	16	17.0	24.0	0.16
PHS16	16	M16x2.0	21	15	28	22	40	19.4	64	84	8	22.0	27	28.575	15	21.6	28.5	0.22
PHS16-1	16	M16x1.5	21	15	28	22	40	19.4	64	84	8	22.0	27	28.575	15	21.6	28.5	0.22
PHS18	18	M18x1.5	23	16.5	32	27	44	21.9	71	93	10	25.0	31	31.75	15	26.0	42.5	0.32
PHS20	20	M20x1.5	25	18	33	30	50	24.4	77	102	10	27.5	34	34.925	14	31.5	42.5	0.42
PHS22	22	M22x1.5	28	20	37	32	54	25.8	84	111	12	30.0	38	38.10	15	38.0	57.0	0.54
PHS25	25	M24x2.0	31	22	42	36	60	29.6	94	124	12	33.5	42	42.86	15	47.5	68.0	0.73
PHS28	28	M27x2.0	35	24	48	41	66	32.3	103	136	14	37	46	47.63	15	58.0	75.0	0.98
PHS30	30	M30x2.0	37	25	51	41	70	34.8	110	145	15	40.0	50	50.80	17	64.0	88.0	1.10
PHS30-1	30	M27x2.0	37	25	51	41	70	34.8	110	145	15	40.0	50	50.80	17	64.0	88.0	1.10