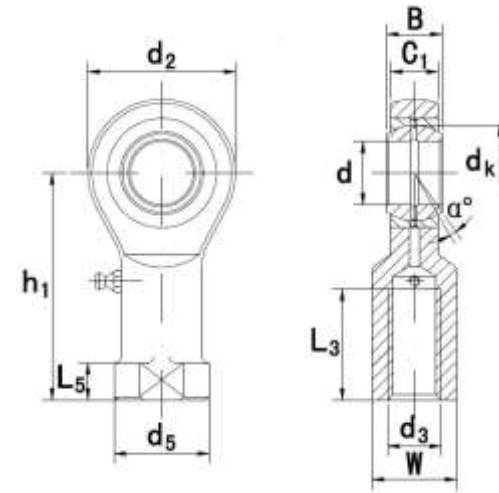




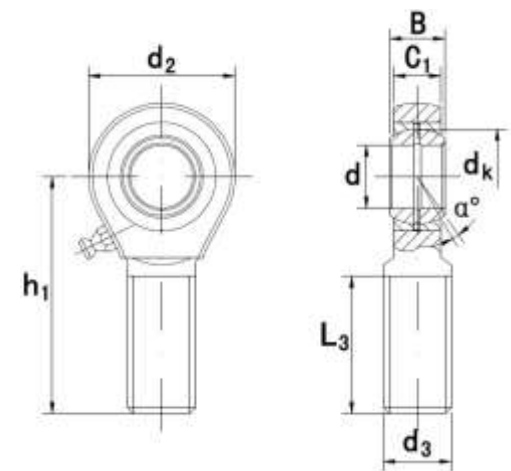
**MICHIGAN MANUFACTURING**  
International



**Rod Ends**  
**KF/KM**

- Rod body with right or left-hand female thread.
- It is made up of a radial spherical plain bearing GEZ..ES or GEZ..ES 2RS and rod body.
- Surface of rod body zinc plated, rod body with a grease nipple.
- In inch dimension series.

Part No.	Dimensions mm												load ratings KN	weight kg
	d	d3 2B	B	C1	L5	d2	d5	h1	L3 min	dk	W	a ≈		
KF20-1	31.75	1 1/4-12	27.762	23.800	12.70	69.85	41.28	104.8	53.98	45.59	38.10	3.5	197.91	0.964
KF24-1	38.10	1 1/2-12	33.325	28.575	22.23	88.90	57.15	136.5	66.68	54.74	50.80	3.2	288.06	2.95
KF32-1	50.80	2-12	44.450	38.100	52.37	127.0	79.38	203.2	101.6	73.03	69.85	3.0	682.82	6.80



Part No.	Dimensions mm										load ratings KN	weight kg
	d	d3 3A	B	C1	d2	h1	L3 min	dk	a ≈	W		
KM20-1	31.75	1 1/4-12	27.762	23.800	69.85	104.8	53.98	45.59	3.5	197.91	1.09	
KM24-1	38.10	1 1/2-12	33.325	28.575	88.90	136.5	66.68	54.74	3.2	288.06	2.15	
KM32-1	50.80	2-12	44.450	38.100	127.0	203.2	101.6	73.03	3.0	682.82	6.46	