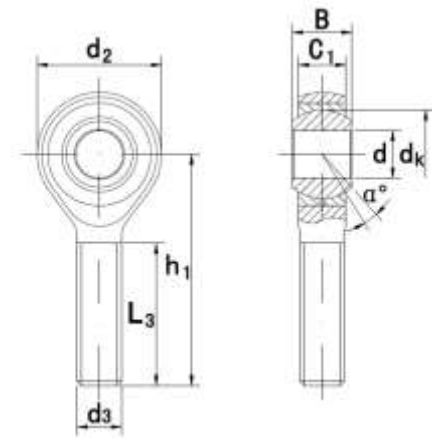




MICHIGAN MANUFACTURING
International



Rod Ends JM, JM..S

- Rod body with right or left-hand female thread.
- Outer race lined with bronze liner.
- Surface of rod body zinc plated.
- In inch dimension series.

Part No.	Dimensions mm									load ratingsKN	weight kg
	d	d3	B	C1	d2	h1	L3	dK	a		
		3A					min		≈		
JM2*	3.175	6-32	6.35	4.75	12.70	23.80	14.27	7.92	8	2.236	0.006
JM3*	4.826	10-32	7.92	6.35	15.88	31.75	19.05	11.10	6.5	5.197	0.013
JM4*	6.350	1/4-28	9.53	7.14	19.05	39.67	25.40	12.70	8	9.600	0.020
JM5*	7.938	5/16-24	11.10	8.74	22.23	47.63	31.75	15.88	7	12.385	0.033
JM6	9.525	3/8-24	12.70	10.31	25.40	49.23	31.75	18.26	6	17.416	0.051
JM7	11.113	7/16-20	14.27	11.10	28.58	53.98	34.93	20.62	7	18.759	0.073
JM8	12.70	1/2-20	15.88	12.70	33.32	61.93	38.10	23.80	6	29.624	0.113
JM10	15.875	5/8-18	19.05	14.27	38.10	66.68	41.28	28.58	8	32.752	0.173
JM12	19.05	3/4-16	22.23	17.45	44.45	73.03	44.45	33.32	7	51.237	0.273
JM14	22.225	7/8-14	22.23	19.43	50.80	85.73	50.80	33.32	3.5	82.185	0.411
JM14-1	22.225	7/8-14	22.23	17.45	50.80	85.73	47.63	33.32	6	101.601	0.411
JM16	25.40	1 1/4-12	34.93	25.40	69.85	104.78	53.98	47.63	8.5	193.670	1.091
JM16-1	25.40	1-14	34.93	25.40	69.85	104.78	53.98	47.63	8.5	193.670	0.965
JM16-2	25.40	1-12	34.93	25.40	69.85	104.78	53.98	47.63	8.5	193.670	0.965