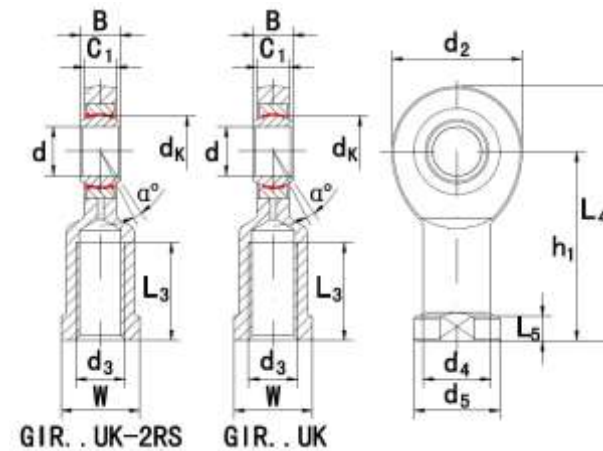




MICHIGAN MANUFACTURING
International



Rod Ends
GIR..UK,GIR..UK 2RS

- Rod body with right or left-hand female thread.
- It is made up of a maintenance-free radial spherical plain bearing GE..UK or GE..UK 2RS and rod body.
- Surface of rod body zinc plated.

| Part No. | Dimensions mm | | | | | | | | | | | | | load ratingsKN | | weight kg | |
|--------------|---------------|----------|----|-----|-----------|-----|-----|-----|-------|-----|------|-----|------|----------------|-----------|-----------|-------------|
| | d | d3 6H | B | C1 | L3 min | W | d2 | h1 | L4 | L5 | d4 | d5 | dk | a ≈ | dyn. C | | stat. C0 |
| GIR6UK | 6 | M6x1.0 | 6 | 4.4 | 11 | 11 | 21 | 30 | 40.5 | 5 | 10 | 13 | 10 | 13 | 3.60 | 8.15 | 0.021 |
| GIR8UK | 8 | M8x1.25 | 8 | 6 | 15 | 14 | 24 | 36 | 48 | 5 | 12.5 | 16 | 13 | 15 | 5.85 | 12.9 | 0.039 |
| GIR10UK | 10 | M10x1.5 | 9 | 7 | 20 | 17 | 29 | 43 | 57.5 | 6.5 | 15 | 19 | 16 | 12 | 8.65 | 17.6 | 0.061 |
| GIR12UK | 12 | M12x1.75 | 10 | 8 | 23 | 19 | 34 | 50 | 67 | 6.5 | 17.5 | 22 | 18 | 11 | 11.4 | 24.5 | 0.096 |
| GIR15UK | 15 | M14x2.0 | 12 | 10 | 30 | 22 | 40 | 61 | 81 | 8 | 21 | 26 | 22 | 8 | 17.6 | 36.0 | 0.18 |
| GIR17UK(2RS) | 17 | M16x2.0 | 14 | 11 | 34 | 27 | 46 | 67 | 90 | 10 | 24 | 30 | 25 | 10 | 22.4 | 45.0 | 0.22 |
| GIR20UK(2RS) | 20 | M20x1.5 | 16 | 13 | 40 | 32 | 53 | 77 | 103.5 | 10 | 27.5 | 35 | 29 | 9 | 31.5 | 60.0 | 0.35 |
| GIR25UK(2RS) | 25 | M24x2.0 | 20 | 17 | 48 | 36 | 64 | 94 | 126 | 12 | 33.5 | 42 | 35.5 | 7 | 51.0 | 83.0 | 0.64 |
| GIR30UK(2RS) | 30 | M30x2.0 | 22 | 19 | 56 | 41 | 73 | 110 | 146.5 | 15 | 40 | 50 | 40.7 | 6 | 66.5 | 110 | 0.93 |
| GIR35UK2RS | 35 | M36x3.0 | 25 | 21 | 60 | 50 | 82 | 125 | 166 | 15 | 47 | 58 | 47 | 6 | 112 | 146 | 1.30 |
| GIR40UK2RS | 40 | M39x3.0 | 28 | 23 | 65 | 55 | 92 | 142 | 188 | 18 | 52 | 65 | 53 | 7 | 140 | 180 | 2.00 |
| GIR40-1UK2RS | 40 | M42x3.0 | 28 | 23 | 65 | 55 | 92 | 142 | 188 | 18 | 52 | 65 | 53 | 7 | 140 | 180 | 1.96 |
| GIR45UK2RS | 45 | M42x3.0 | 32 | 27 | 65 | 60 | 102 | 145 | 196 | 20 | 58 | 70 | 60 | 7 | 180 | 240 | 2.50 |
| GIR45-1UK2RS | 45 | M45x3.0 | 32 | 27 | 65 | 60 | 102 | 145 | 196 | 20 | 58 | 70 | 60 | 7 | 180 | 240 | 2.44 |
| GIR50UK2RS | 50 | M45x3.0 | 35 | 30 | 68 | 65 | 112 | 160 | 216 | 20 | 62 | 75 | 66 | 6 | 220 | 290 | 3.50 |
| GIR50-1UK2RS | 50 | M52x3.0 | 35 | 30 | 68 | 65 | 112 | 160 | 216 | 20 | 62 | 75 | 66 | 6 | 220 | 290 | 3.4 |
| GIR60UK2RS | 60 | M52x3.0 | 44 | 38 | 70 | 75 | 135 | 175 | 242.5 | 20 | 70 | 88 | 80 | 6 | 345 | 450 | 5.50 |
| GIR60-1UK2RS | 60 | M60x4.0 | 44 | 38 | 70 | 75 | 135 | 175 | 242.5 | 20 | 70 | 88 | 80 | 6 | 345 | 450 | 5.38 |
| GIR70UK2RS | 70 | M56x4.0 | 49 | 42 | 80 | 85 | 160 | 200 | 280 | 20 | 80 | 98 | 92 | 6 | 440 | 610 | 8.60 |
| GIR70-1UK2RS | 70 | M72x4.0 | 49 | 42 | 80 | 85 | 160 | 200 | 280 | 20 | 80 | 98 | 92 | 6 | 440 | 610 | 8.42 |
| GIR80UK2RS | 80 | M64x4.0 | 55 | 47 | 85 | 100 | 180 | 230 | 320 | 25 | 95 | 110 | 105 | 6 | 570 | 750 | 12.0 |
| GIR80-1UK2RS | 80 | M80x4.0 | 55 | 47 | 85 | 100 | 180 | 230 | 320 | 25 | 95 | 110 | 105 | 6 | 570 | 750 | 11.8 |