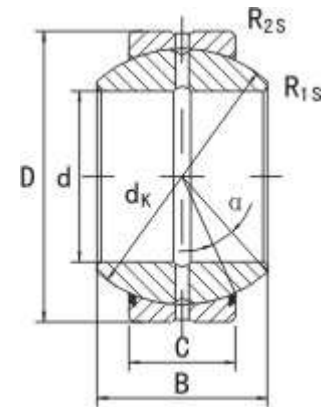




MICHIGAN MANUFACTURING
International



Radial Spherical Plain Bearings
GEZ..ES,GEZ..ES 2RS

- Design features same as GE .. ES or GE .. ES 2RS.
- In inch dimension series.

Part No.	Dimensions mm								load ratings KN		weight kg
	d	D	B	C	dk	R1s min	R2s min	α \approx	dyn. C	stat. C0	
GEZ12ES	12.70	22.225	11.10	9.525	18	0.3	0.6	6	13	41	0.022
GEZ15ES	15.875	26.988	13.894	11.913	23	0.3	0.6	6	22	65	0.036
GEZ19ES	19.05	31.750	16.662	14.275	27.5	0.3	0.6	6	31	95	0.053
GEZ22ES	22.225	36.513	19.431	16.662	32	0.3	0.6	6	42	127	0.085
GEZ25ES GEZ25ES2RS	25.40	41.275	22.225	19.05	36.5	0.3	0.6	6	56	166	0.121
GEZ31ES GEZ31ES2RS	31.75	50.80	27.762	23.80	45.5	0.6	0.6	6	86	260	0.232
GEZ34ES GEZ34ES2RS	34.925	55.563	30.150	26.187	49	0.6	1.0	6	102	310	0.351
GEZ38ES GEZ38ES2RS	38.10	61.913	33.325	28.575	54.7	0.6	1.0	6	125	375	0.422
GEZ44ES GEZ44ES2RS	44.45	71.438	38.887	33.325	63.9	0.6	1.0	6	170	510	0.641
GEZ50ES GEZ50ES2RS	50.80	80.963	44.450	38.10	73	0.6	1.0	6	224	670	0.932
GEZ57ES GEZ57ES2RS	57.15	90.488	55.013	42.85	82	0.6	1.0	6	280	850	1.33
GEZ63ES GEZ63ES2RS	63.50	100.013	55.550	47.625	92	0.6	1.0	6	355	1060	1.85
GEZ69ES GEZ69ES2RS	69.85	111.125	61.112	52.375	100	1.0	1.0	6	415	1250	2.42
GEZ76ES GEZ76ES2RS	76.20	120.650	66.675	57.15	109.5	1.0	1.0	6	500	1500	3.10
GEZ82ES GEZ76ES2RS	82.55	130.175	72.238	61.90	120	1.0	1.0	6	585	1760	3.82
GEZ88ES GEZ88ES2RS	88.90	139.70	77.775	66.675	130	1.0	1.0	6	680	2040	4.79
GEZ95ES GEZ95ES2RS	95.250	149.225	83.337	71.425	137	1.0	1.0	6	780	2360	5.80
GEZ101ES GEZ101ES2RS	101.60	158.750	88.900	76.200	146	1.0	1.0	6	900	2650	7.00
GEZ107ES GEZ107ES2RS	107.95	168.275	94.463	80.95	154.9	1.0	1.0	6	1000	2900	8.41
GEZ114ES GEZ114ES2RS	114.30	177.800	100.013	85.725	164.5	1.0	1.0	6	1120	3400	9.80
GEZ120ES GEZ120ES2RS	120.65	187.325	105.562	90.475	173.5	1.0	1.0	6	1250	3750	11.5
GEZ127ES GEZ127ES2RS	127.00	196.85	111.125	95.25	183	1.0	1.0	6	1400	4150	13.5
GEZ152ES GEZ152ES2RS	152.40	222.25	120.65	104.775	207	1.0	1.0	5	1730	5200	17.5