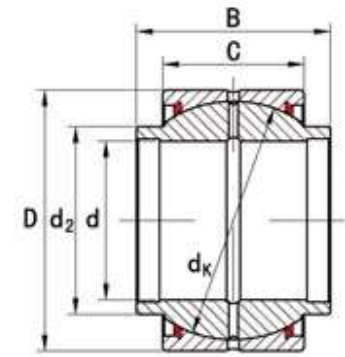




MICHIGAN MANUFACTURING
International



Radial Spherical plain Bearings GEWK..ES 2RS

- Outer ring with single split in axial direction.
- Inner ring with cylindrical extensions at both sides.
- Lubrication grooves and holes in the outer and inner rings.
- Outer ring with lip seals in both sides.
- Both outer and inner rings are properly phosphate treated.

Part No.	Dimensions mm						load ratings KN		weight kg
	d	D	B	C	d2	dk	dyn. C	stat. C0	
GEWK45ES2RS	45	75	57	42	54	70	200	720	1.07
GEWK60ES2RS	60	100	72	56	74.5	92	315	1560	2.33
GEWK70ES2RS	70	115	85	62	83	105	400	2000	2.14
GEWK80ES2RS/UK2	80	130	85	50	92	115	490	2450	3.47
GEWK80ES2RS/UK3	80	150	85	55	100	130	610	3050	5.37
GEWK80ES2RS/UK5	80	130	97	50	96	115	490	2450	3.74
GEWK80ES2RS/UK6	80	130	81.5	50	96	115	490	2450	3.43
GEWK90ES2RS/UK2	90	150	95	55	105	130	610	3050	5.41
GEWK90ES2RS/UK4	90	150	107	80	114	130	610	3050	6.04
GEWK100ES2RS	100	150	107	80	111	130	610	3050	4.81
GEWK120ES2RS	120	180	123	70	137	160	950	4750	6.33