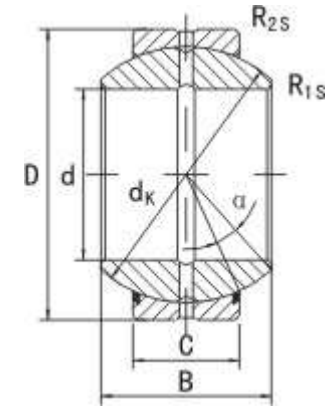




**MICHIGAN MANUFACTURING**  
International



### Radial Spherical Plain Bearings GEGZ..ES,GEGZ..ES 2RS

- Design features same as GE .. ES or GE .. ES 2RS.
- In inch dimension series.

Part No.		Dimensions mm								load ratings KN		weight kg
		d	D	B	C	dk	R1s min	R2s min	α ≈	Activity C	static C0	
GEGZ31ES	GEGZ31ES2RS	31.75	61.913	35.306	28.575	54.7	0.6	1.0	15	125	375	0.454
GEGZ38ES	GEGZ38ES2RS	38.10	71.438	40.132	33.325	63.9	0.6	1.0	14	170	510	0.726
GEGZ44ES	GEGZ44ES2RS	44.45	80.963	46.228	38.100	73.0	0.6	1.0	14	224	670	1.14
GEGZ50ES	GEGZ50ES2RS	50.80	90.488	52.578	42.850	82.0	0.6	1.0	14	280	850	1.68
GEGZ57ES	GEGZ57ES2RS	57.15	100.013	58.877	47.625	92.0	0.6	1.0	14	355	1060	2.01
GEGZ63ES	GEGZ63ES2RS	63.50	111.125	64.643	52.375	100.0	1.0	1.0	14	415	1250	2.95
GEGZ69ES	GEGZ69ES2RS	69.85	120.650	70.866	57.150	109.5	1.0	1.0	14	500	1500	3.63
GEGZ76ES	GEGZ76ES2RS	76.20	130.175	76.759	61.900	119.0	1.0	1.0	14	585	1760	4.36
GEGZ82ES	GEGZ82ES2RS	82.55	139.700	82.931	66.675	128.0	1.0	1.0	14	680	2040	5.31
GEGZ88ES	GEGZ88ES2RS	88.90	149.225	90.424	71.425	137.0	1.0	1.0	14	780	2360	6.81
GEGZ95ES	GEGZ95ES2RS	95.25	158.750	94.945	76.200	146.0	1.0	1.0	14	900	2650	8.85
GEGZ101ES	GEGZ101ES2RS	101.6	117.800	107.315	85.725	164.5	1.0	1.0	10	1120	3400	10.2