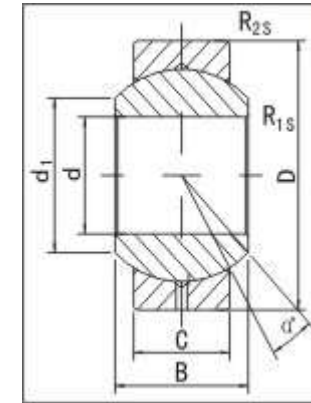




MICHIGAN MANUFACTURING
International



Radial Spherical plain Bearings GEBJ..S

- Outer ring pressed around inner ring.
- Lubrication groove and hole in outer ring.

Part No.	Dimensions mm								load ratings KN		weight kg
	d	D	B	C	d1 min	R1s min	R2s min	α \approx	dyn. C	stat. C0	
GEBJ5S	5	13	8	6	7.7	0.3	0.3	13	3.2	9	0.007
GEBJ6S	6	16	9	6.75	9.0	0.3	0.3	13	4.1	12	0.010
GEBJ8S	8	19	12	9	10.4	0.3	0.3	13	6.5	20	0.016
GEBJ10S	10	22	14	10.5	12.9	0.3	0.6	13	9.6	28	0.031
GEBJ12S	12	26	16	12	15.4	0.3	0.6	13	12	37	0.055
GEBJ14S	14	28	19	13.5	16.9	0.3	0.6	15	16	49	0.078
GEBJ16S	16	32	21	15	19.4	0.3	0.6	15	20	61	0.095
GEBJ18S	18	35	23	16.5	21.9	0.3	0.6	15	25	74	0.140
GEBJ20S	20	40	25	18	24.4	0.3	0.6	15	30	89	0.180
GEBJ22S	22	42	28	20	25.8	0.3	0.6	15	36	108	0.210
GEBJ25S	25	47	31	22	29.6	0.6	0.6	15	45	130	0.350
GEBJ30S	30	55	37	25	34.8	0.6	0.6	15	61	178	0.560