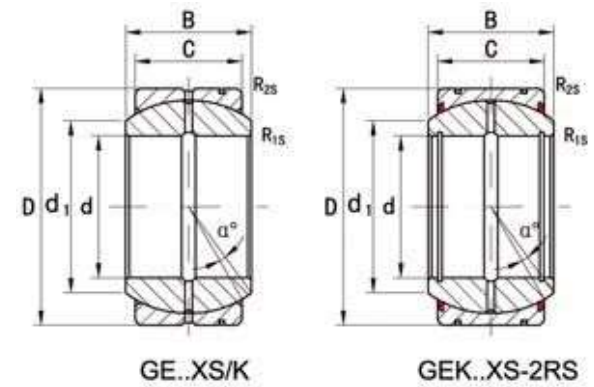




MICHIGAN MANUFACTURING
International



Spherical plain Radial Bearings With Two-Piece
GE..XS/K ; GEK..XS 2RS

- Outer ring with two axial pieces.
- Lubrication grooves and holes in the outer and inner rings of type GE..XS/K, both outer and inner rings are properly phosphate treated.
- the type GEK..XS 2RS outer ring with two seals, lubrication grooves and holes in the inner rings, the spherical surface with chromium plating.

Part No.	Dimensions mm								load ratings KN		weight kg
	d	D	B	C	d1	R1s min	R2s min	α \approx	dyn. C	stat. C0	
GE12XS/K	12	22	11	9	14	0.5	0.5	7	13	68	0.019
GE15XS/K	15	26	13	11	17.5	0.5	0.5	6	20	102	0.028
GE20XS/K	20	32	16	14	23	0.5	0.5	4	33	106	0.053
GE22XS/K	22	37	19	16	25.5	0.5	0.5	6	43	217	0.085
GE25XS/K	25	42	21	18	29	0.5	0.5	5	55	275	0.116
GE30XS/K	30	50	27	23	36	1.0	1.0	6	87	439	0.225
GE35XS/K	35	55	30	26	40	1.0	1.0	5	110	552	0.302
GE40XS/K	40	62	33	28	44	1.0	1.0	6	130	654	0.375
GE45XS/K	45	72	36	31	50.5	1.0	1.0	5	163	816	0.598
GE50XS/K	50	80	42	36	58.5	1.0	1.0	5	220	1100	0.869
GE55XS/K	55	90	47	40	64.5	1.0	1.0	6	272	1360	1.26
GE60XS/K	60	100	53	45	72.5	1.0	1.0	6	344	1720	1.72
GE65XS/K	65	105	55	47	76	1.0	1.0	5	375	1870	2.05
GE70XS/K	70	110	58	50	81.5	1.0	1.0	5	425	2125	2.23
GE75XS/K	75	120	64	55	89.5	1.0	1.0	5	510	2750	3.01
GE80XS/K	80	130	70	60	97.5	1.0	1.0	5	610	3060	3.98
GE85XS/K	85	135	74	63	100.5	1.0	1.0	6	669	3340	4.31
GE90XS/K	90	140	76	65	105.5	1.0	1.0	5	718	3590	4.72
GE95XS/K	95	150	82	70	113.5	1.0	1.0	5	833	4165	6.05
GE100XS/K	100	160	88	75	121.5	1.5	1.5	5	956	4780	7.43
GE110XS/K	110	170	93	80	130	1.5	1.5	5	1080	5440	8.54
GE115XS/K	115	180	98	85	132.5	1.5	1.5	5	1190	5960	10.3
GE120XS/K	120	190	105	90	140	1.5	1.5	6	1330	6690	12.4
GE130XS/K	130	200	110	95	148.5	1.5	1.5	5	1490	7460	13.8
GE150XS/K	150	220	120	105	166	1.5	1.5	5	1820	9140	17.1
GEK25XS2RS	25	68	40	28	30	0.6	1.0	19	117	590	0.516
GEK30XS2RS	30	70	47	32	37.3	0.6	1.0	19	163	813	0.785
GEK35XS2RS	35	80	54	38	44.5	0.6	1.0	17	226	1130	1.23
GEK40XS2RS	40	90	64	44	48	0.6	1.0	19	298	1490	1.83
GEK45XS2RS	45	100	72	52	54	0.6	1.0	17	398	1990	2.56
GEK50XS2RS	50	110	80	58	60	1.0	1.0	17	493	2450	3.43
GEK55XS2RS	55	125	90	64	63.2	1.0	1.0	19	598	2990	5.03
GEK60XS2RS	60	135	98	72	69.3	1.0	1.0	17	732	3660	6.43