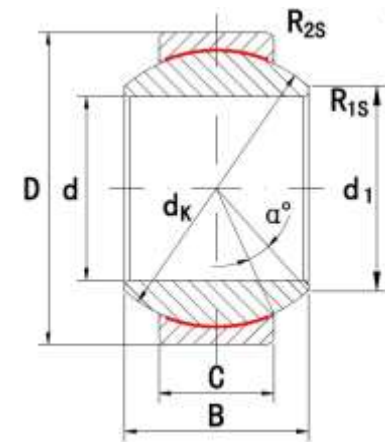




MICHIGAN MANUFACTURING
International



Radial Spherical plain Bearings GE..UK

- Outer ring pressed around inner ring.
- Outer race lined with PTFE composite material.
- Spherical surface of inner ring hard chrome plated.

Part No.	Dimensios mm									load ratings KN		weight kg
	d	D	B	C	d1	dk	R1s	R2s	α	dyn. C	stat. C0	
GE6UK	6	14	6	4	8	10	0.3	0.3	13	3.6	9.1	0.004
GE8UK	8	16	8	5	10	13	0.3	0.3	15	5.8	14	0.008
GE10UK	10	19	9	6	13	16	0.3	0.3	12	8.6	21	0.011
GE12UK	12	22	10	7	15	18	0.3	0.3	10	11	28	0.015
GE15UK	15	26	12	9	18	22	0.3	0.3	8	18	45	0.027
GE17UK	17	30	14	10	20	25	0.3	0.3	10	22	56	0.041
GE20UK	20	35	16	12	24	29	0.3	0.3	9	31	78	0.066
GE25UK	25	42	20	16	29	35.5	0.6	0.6	7	51	127	0.119
GE30UK	30	47	22	18	34	40.7	0.6	0.6	6	65	166	0.163