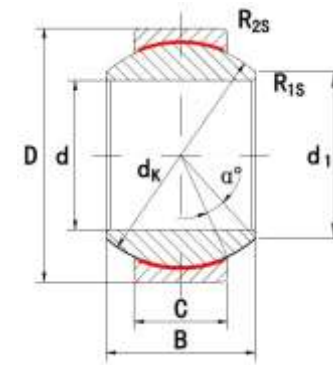




MICHIGAN MANUFACTURING
International



Radial Spherical plain Bearings GE..FW

- Outer ring pressed around inner ring.
- Outer race lined with PTFE composite materials.
- Spherical surface of inner ring hard chrome plated.

Part No.	Dimensions mm										load ratings KN		weight kg
	d	D	B	C	d1	dk	R1s min	R2s min	α \approx	dyn. C	stat. C0		
GE6FW	6	16	9	5	9	13	0.3	0.3	21	5.8	14	0.008	
GE8FW	8	19	11	6	11	16	0.3	0.3	21	8.6	21	0.014	
GE10FW	10	22	12	7	13	18	0.3	0.3	18	11	28	0.021	
GE12FW	12	26	15	9	16	22	0.3	0.3	18	18	45	0.033	
GE15FW	15	30	16	10	19	25	0.3	0.3	16	22	56	0.049	
GE17FW	17	35	20	12	21	29	0.3	0.3	19	31	78	0.083	
GE20FW	20	42	25	16	24	35.5	0.3	0.3	17	51	127	0.153	
GE25FW	25	47	28	18	29	40.7	0.6	0.6	17	65	166	0.203	
GE30FW	30	55	32	20	34	47	0.6	0.6	17	83	212	0.304	