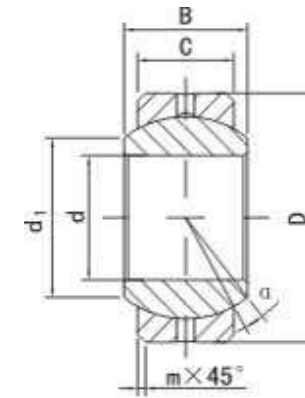




MICHIGAN MANUFACTURING
International



Radial Spherical plain Bearings COM../HCOM..

- Outer ring pressed around inner ring.
- Lubrication groove and hole in outer ring.
- In inch dimension Series.

Part No.	Dimensions mm								load ratingsKN	weight kg
	d	d1	B	C	D	dk	m	α		
COM3	4.826	7.44	7.14	5.54	14.29	10.31	0.381	11	14.464	0.006
COM4	6.350	9.25	8.71	6.35	16.67	12.70	0.560	13.5	22.015	0.010
COM5	7.938	10.64	9.53	7.14	19.05	14.27	0.810	12	28.800	0.014
COM6	9.525	13.11	10.31	7.92	20.64	16.66	0.810	10	37.361	0.017
COM7	11.113	13.46	11.10	8.71	23.02	17.45	0.810	8.0	42.048	0.021
COM8	12.700	16.26	12.70	9.91	25.40	20.65	0.810	9.5	58.934	0.029
COM9	14.288	18.03	14.27	11.10	27.78	23.01	0.810	9.5	73.967	0.039
COM10	15.875	19.81	15.88	12.70	30.16	25.40	0.810	8.5	94.658	0.050
COM12	19.050	23.37	19.05	15.06	36.51	30.15	1.120	9.0	141.982	0.093
COM14	22.225	24.89	22.23	17.86	39.69	33.32	1.120	9.5	186.639	0.119
COM16	25.400	28.40	25.40	20.24	44.45	38.10	1.120	10	245.534	0.175
HCOM16	25.400	34.54	25.40	19.84	50.80	42.85	0.810	9.0	315.010	0.251
HCOM19	30.163	40.89	30.15	23.80	60.33	50.80	0.810	8.5	448.049	0.406
HCOM20	31.750	40.89	30.15	23.80	60.33	50.80	0.810	8.5	448.049	0.406
HCOM24	38.100	47.24	34.93	27.79	69.85	58.72	0.810	8.5	604.710	0.616
HCOM28	44.450	53.59	39.67	31.75	79.38	66.68	1.120	8.0	784.495	0.884
HCOM32	50.800	59.94	44.45	34.93	88.90	74.60	1.120	8.5	965.485	1.198