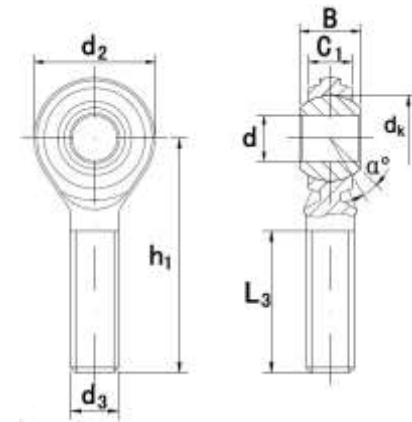




MICHIGAN MANUFACTURING
International



Rod Ends CM,CM..S

- Rod body with right or left-hand female thread.
- Rod body pressed around inner ring.
- Surface of rod body zinc plated.
- In inch dimension series.

Part No.	Dimensions mm									load ratingsKN	weight kg
	d	d3	B	C1	d2	h1	L3	dK	a		
		3A					min		≈		
CM3*	4.826	10-32	7.92	5.94	15.88	31.75	19.05	11.10	10	5.355	0.014
CM4*	6.350	1/4-28	9.53	6.35	19.05	39.67	25.40	12.70	13.5	9.839	0.018
CM5*	7.938	5/16-24	11.10	7.92	22.23	47.63	31.75	15.88	11	15.910	0.032
CM6	9.525	3/8-24	12.70	9.12	25.40	49.23	31.75	18.26	11	22.542	0.050
CM7	11.113	7/16-20	14.27	10.31	28.58	53.98	34.93	20.62	10.5	28.223	0.068
CM8	12.700	1/2-20	15.88	11.5	33.32	61.93	38.10	23.80	10	37.087	0.109
CM10	15.875	5/8-18	19.05	12.29	38.10	66.68	41.28	28.58	13	43.203	0.163
CM12	19.050	3/4-16	22.23	15.06	44.45	73.03	44.45	33.32	12	63.193	0.259