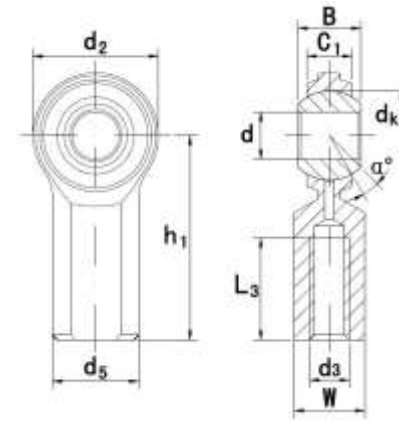




MICHIGAN MANUFACTURING
International



Rod Ends
CF,CF..S

- Rod body with right or left-hand female thread.
- Rod body pressed around inner ring.
- Surface of rod body zinc plated.
- In inch dimension series.

Part No.	Dimensions mm										load ratings KN	weight kg
	d	d3	B	C1	d2	h1	L3	dK	w	a		
		2B					min			≈		
CF3*	4.826	10-32	7.92	5.94	15.88	26.97	12.70	11.10	7.92	10	9.247	0.018
CF4*	6.350	1/4-28	9.53	6.35	19.05	33.32	17.45	12.7	9.53	13.5	14.269	0.023
CF5*	7.938	5/16-24	11.10	7.92	22.23	34.93	17.45	15.88	11.1	11	17.009	0.036
CF6	9.525	3/8-24	12.70	9.12	25.40	41.28	20.62	18.26	14.27	11	22.627	0.059
CF7	11.113	7/16-20	14.27	10.31	28.58	46.02	23.80	20.62	15.88	10.5	28.400	0.082
CF8	12.70	1/2-20	15.88	11.5	33.32	53.98	26.97	23.80	19.05	10	40.459	0.132
CF10	15.875	5/8-18	19.05	12.29	38.10	63.50	34.93	28.58	22.23	13	43.203	0.195
CF12	19.05	3/4-16	22.23	15.06	44.45	73.03	39.67	33.32	25.40	12	63.193	0.295