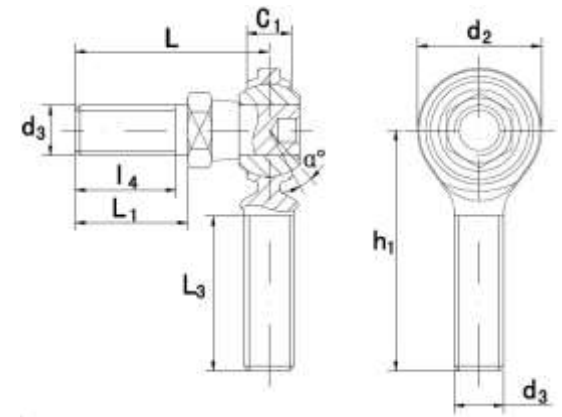




MICHIGAN MANUFACTURING
International

Rod Ends
with studs CM..Y,CM..YS

- Rod end CM with thread stud.
- surface zinc plated.



Part No.	Dimensions mm									load ratingsKN	weight kg
	d3 2B	C1	d2	h1	L3 min	L	L1	L4	a ≈		
CM3Y*	10-32	5.94	15.88	31.75	19.05	25.4	12.7	11.10	25	5.355	0.018
CM3Y*	10-32	5.94	15.88	31.75	19.05	25.4	12.7	11.10	25	5.355	0.018
CM4Y*	1/4-28	6.35	19.05	39.67	25.40	26.19	14.27	12.70	25	9.839	0.023
CM4Y*	1/4-28	6.35	19.05	39.67	25.40	26.19	14.27	12.70	25	9.839	0.023
CM5Y*	5/16-24	7.92	22.23	47.63	31.75	30.96	17.45	15.06	25	15.910	0.045
CM5Y*	5/16-24	7.92	22.23	47.63	31.75	30.96	17.45	15.06	25	15.910	0.045
CM6Y	3/8-24	9.12	25.40	49.23	31.75	39.67	23.01	20.62	25	22.542	0.068
CM6Y	3/8-24	9.12	25.40	49.23	31.75	39.67	23.01	20.62	25	22.542	0.068
CM7Y	7/16-20	10.31	28.58	53.98	34.93	44.45	26.97	23.80	25	28.223	0.109
CM7Y	7/16-20	10.31	28.58	53.98	34.93	44.45	26.97	23.80	25	28.223	0.109
CM8Y	1/2-20	11.50	33.32	61.93	38.10	50.8	25.58	25.40	25	37.087	0.159
CM8Y	1/2-20	11.50	33.32	61.93	38.10	50.8	25.58	25.40	25	37.087	0.159
CM10Y	5/8-18	12.29	38.10	66.68	41.28	63.5	38.1	34.93	25	43.023	0.277
CM10Y	5/8-18	12.29	38.10	66.68	41.28	63.5	38.1	34.93	25	43.023	0.277
CM12Y	3/4-16	15.06	44.45	73.03	44.45	76.2	46.02	41.28	25	63.193	0.467
CM12Y	3/4-16	15.06	44.45	73.03	44.45	76.2	46.02	41.28	25	63.193	0.467