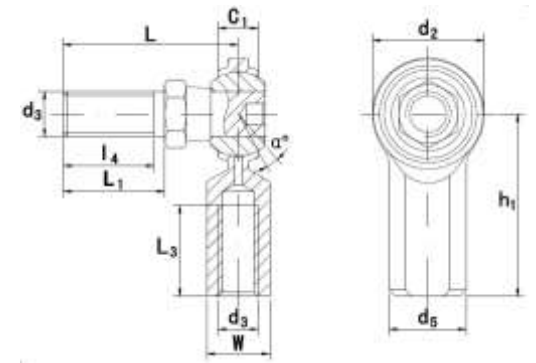




MICHIGAN MANUFACTURING
International

Rod Ends
with studs CF..Y,CF..YS



-Rod end CF with thread stud.

-surface zinc plated.

| Part No. | Dimensions mm | | | | | | | | | | load ratings KN | weight kg | | |
|----------|---------------|-------|-------|-------|-------|-------|-------|-------|-------|-------|-----------------|-----------|-------|--|
| | d3 | w | C1 | d2 | h1 | L3 | L | L1 | L4 | d5 | | | | |
| | 2B | | | | | min | | | | | | ≈ | | |
| CF3Y* | 10-32 | 7.92 | 5.94 | 15.88 | 26.97 | 12.70 | 25.4 | 12.7 | 11.10 | 10.31 | 25 | 9.427 | 0.023 | |
| CF4Y | 1/4-28 | 9.53 | 6.35 | 19.05 | 33.32 | 17.45 | 26.19 | 14.27 | 12.70 | 11.91 | 25 | 14.269 | 0.027 | |
| CF5Y | 5/16-24 | 11.10 | 7.92 | 22.23 | 34.93 | 17.45 | 30.96 | 17.45 | 15.06 | 12.70 | 25 | 17.009 | 0.050 | |
| CF6Y | 3/8-24 | 14.27 | 9.12 | 25.40 | 41.28 | 20.62 | 39.67 | 23.01 | 20.62 | 17.45 | 25 | 22.627 | 0.077 | |
| CF7Y | 7/16-20 | 15.88 | 10.31 | 28.58 | 46.02 | 23.80 | 44.45 | 26.97 | 23.80 | 19.05 | 25 | 28.400 | 0.122 | |
| CF8Y | 1/2-20 | 19.05 | 11.50 | 33.32 | 53.98 | 26.97 | 50.8 | 28.58 | 25.40 | 22.23 | 25 | 40.459 | 0.181 | |
| CF10Y | 5/8-18 | 22.23 | 12.29 | 38.10 | 63.50 | 34.93 | 63.5 | 38.1 | 34.93 | 25.4 | 25 | 43.203 | 0.308 | |
| CF12Y | 3/4-16 | 25.40 | 15.06 | 44.45 | 73.03 | 39.67 | 76.2 | 46.02 | 41.28 | 28.58 | 25 | 63.193 | 0.504 | |