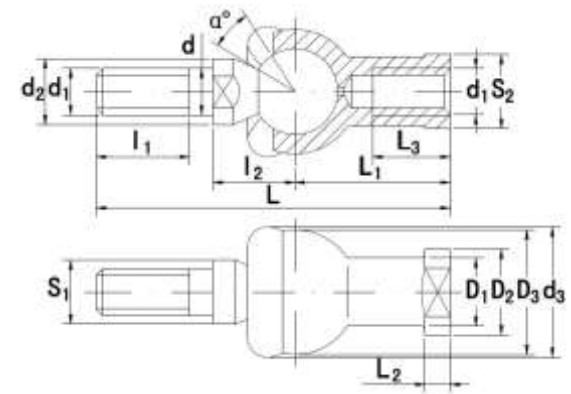




**MICHIGAN MANUFACTURING**  
International

### Ball Joints SQZ..RS

- Ball joint housing with right or left-hand thread.
- Ball joint housing made of zinc base alloy.
- with rubber dust seal.



Part No.	Dimensions mm															load ratings KN	weight kg	
	d	d1	d2	d3	l1	l2	S1	L	L1	L2	L3	D1	D2	D3	S2			a
SQZ5RS	5	M5x0.8	9	20	8	11	7	46	24	4	12	9	11	17	9	15	2.8	0.025
SQZ6RS	6	M6x1.0	10	20	11	12.2	8	55.2	28	5	15	10	13	20	11	15	3.7	0.041
SQZ8RS	8	M8x1.25	12	24	12	16	10	65	32	5	16	12.5	16	24	14	15	5.8	0.075
SQZ10RS	10	M10x1.5	14	30	21	19.5	11	74.5	35	6.5	18	15	19	28	17	15	8.4	0.12
SQZ10RS-1	10	M10x1.25	14	30	15	19.5	11	80.5	35	6.5	18	15	19	28	17	15	8.4	0.12
SQZ12RS	12	M12x1.75	17	32	24	21	15	74.5	40	6.5	20	17.5	22	32	19	15	11	0.18
SQZ12RS-1	12	M12x1.25	17	32	17	21	15	91	40	6.5	20	17.5	22	32	19	15	11	0.18
SQZ14RS	14	M14x2.0	19	38	28	23.5	17	84	45	8	25	20	25	36	22	11	15	0.27
SQZ14RS-1	14	M14x1.5	19	38	22	23.5	17	109	45	8	25	20	25	36	22	11	15	0.27
SQZ16RS	16	M16x2.0	22	44	29	25.5	19	103	50	8	27	22	27	40	22	11	15	0.36
SQZ16RS-1	16	M16x1.5	22	44	23	25.5	19	118	50	8	27	22	27	40	22	11	15	0.36
SQZ18RS	18	M18x1.5	23	45	25	31	20	112	58	10	32	25	31	45	27	11	19	0.54
SQZ20RS	20	M20x1.5	27	50	25	29	24	133	63	10	38	27.5	34	45	30	7.5	19	0.57
SQZ22RS	22	M22x1.5	27	52	26	33	24	145	70	12	43	30	37	50	32	7.5	23	0.76