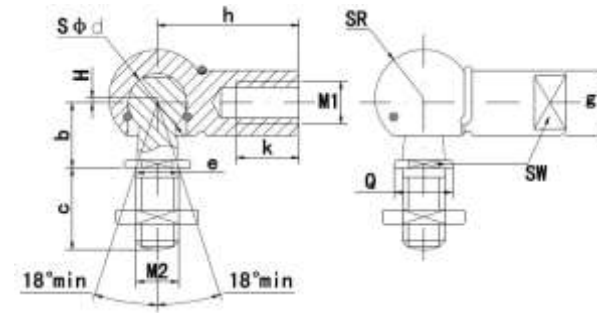




MICHIGAN MANUFACTURING
International



Ball Joints SQP..S

- Ball joint housing in carbon steel, with right or left-hand thread.
- Surface zinc plated.
- Greased filled in the ball joint socket.

Part No.	Dimensions mm													load ratingsKN	weight kg
	Q	M1 6H	M2 6g	b	c	d	e	g	h	H	k min	SW	SR		
SQP5S	8	M5x0.8	M5x0.8	9	10	8	5	8	22	0.70	10.2	7	6.4	15.2	0.014
SQP6S	10	M6x1.0	M6x1.0	11	12.5	10	6	10	25	0.70	11.5	8	7.4	25.2	0.024
SQP8S	13	M8x1.25	M8x1.25	13	16.5	13	8	13	30	1.16	14.0	11	9.65	53.1	0.053
SQP10S	16	M10x1.25	M10x1.25	16	20	16	10	16	35	1.16	15.5	13	12	103.8	0.097
SQP12S	16	M12x1.75	M12x1.75	16	20	16	12	16	35	1.16	15.5	13	12	103.8	0.097
SQP14S	22	M14x2.0	M14x2.0	20	27	19	14	22	45	1.50	21.5	17	15	220.9	0.218
SQP14-1S	22	M14x1.5	M14x1.5	20	27	19	14	22	45	1.50	21.5	17	15	220.9	0.218