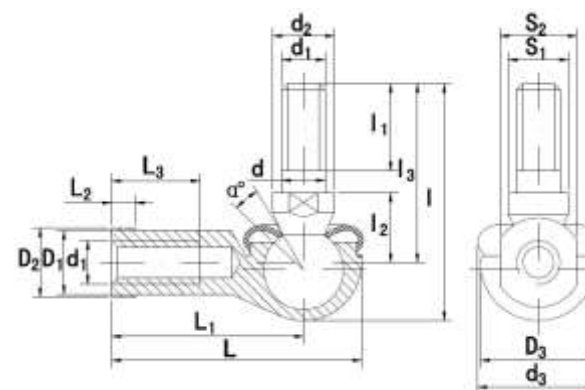




**MICHIGAN MANUFACTURING**  
International



### Ball Joints SQ..RS

- Ball joint housing with right or left-hand thread.
- Ball joint housing made of zinc base alloy.
- with rubber dust seal.

Part No.	Dimensions mm																	load ratingsKN	weight kg	
	d	d1	d2	d3	l	l1	l2	l3	S1	L	L1	L2	L3	D1	D2	D3	S2			a
						min							min					≈		
SQ5RS	5	M5x0.8	9	19	29	8	10	21	7	35	27	4	14	9	11	16	9	25	2.2	0.026
SQ6RS	6	M6x1.0	10	20	35.5	11	11	26	8	40	30	5	14	10	13	19	11	25	3.5	0.039
SQ8RS	8	M8x1.25	12	24	42.5	12	14	31	10	48	36	5	17	12.5	16	23	14	25	6.6	0.068
SQ10RS	10	M10x1.5	14	30	56.5	21	17	43	11	57	43	6.5	21	15	19	27	17	25	10	0.112
SQ10RS-1	10	M10x1.25	14	30	50.5	15	17	37	11	57	43	6.5	21	15	19	27	17	25	10	0.112
SQ12RS	12	M12x1.75	17	32	64.5	24	19	49	15	66	50	6.5	25	17.5	22	31	19	25	16	0.164
SQ12RS-1	12	M12x1.25	17	32	57.5	17	19	42	15	66	50	6.5	25	17.5	22	31	19	25	16	0.164
SQ14RS	14	M14x2.0	19	38	79.5	28	21.5	62	17	75	57	8	26	20	25	35	22	25	19	0.254
SQ14RS-1	14	M14x1.5	19	38	73.5	22	21.5	56	17	75	57	8	26	20	25	35	22	25	19	0.254
SQ16RS	16	M16x2.0	22	44	85.5	29	23.5	66	19	84	64	8	32	22	27	39	22	20	26	0.336
SQ16RS-1	16	M16x1.5	22	44	79.5	23	23.5	60	19	84	64	8	32	22	27	39	22	20	26	0.336
SQ18RS	18	M18x1.5	23	45	90	25	26.5	68	20	93	71	10	34	25	31	44	27	20	33	0.464
SQ20RS	20	M20x1.5	27	50	90	25	27	68	24	99	77	10	35	27.5	34	44	30	20	45	0.538
SQ22RS	22	M22x1.5	27	52	95	26	28	70	24	109	84	12	41	30	37	50	32	16	48	0.713