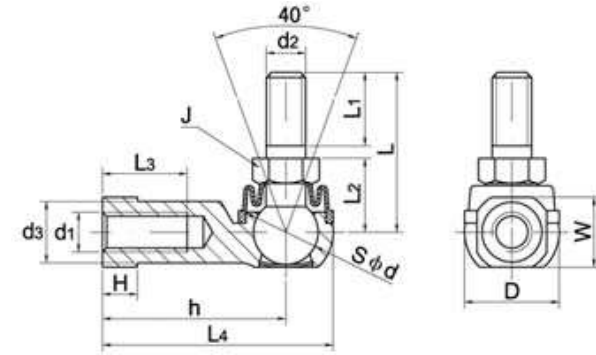




MICHIGAN MANUFACTURING
International



■ Ball Joints
BL..D/BD

- Ball joint housing with right or left-hand thread.
- Ball joint housing made of zinc base alloy.
- with rubber dust seal.

Part No.	Dimensions mm												load ratingsKN	weightkg	
	d1	d2	d3	L1	L2	L3	L4	h	H	W	D	J			Sφd
	6H	6g		min		min									
BL6D	M6x1.0	M6x1.0	10	11	11	16	16	30	5	11	16	10	11.11	9.9	0.037
BL8D	M8x1.25	M8x1.25	13	12	14	19	19	36	6	14	19	12	12.7	12.5	0.066
BL10BD	M10x1.5	M10x1.5	14.5	21	17	23	23	43	7	17	25	14	15.88	18.3	0.11
BL10D	M10x1.25	M10x1.25	14.5	15	17	23	23	43	7	17	25	14	15.88	18.3	0.11
BL12BD	M12x1.75	M12x1.75	17.5	24	19	26	26	50	8	19	29	17	19.05	26.7	0.16
BL12D	M12x1.25	M12x1.25	17.5	17	19	26	26	50	8	19	29	17	19.05	26.7	0.16
BL16BD	M16x2.0	M16x2.0	22	29	23.5	34	34	64	11	24	38	22	22.23	36.4	0.33
BL16D	M16x1.5	M16x1.5	22	23	23.5	34	34	64	11	24	38	22	22.23	36.4	0.33